

ESSENTIELL



Contents	3	Dishwasher Dispenser & Detergents	13
Important Safety Instructions	4	Factors Affecting Performance	14
Introduction	5	Care and Cleaning	15
Features at a Glance	6	Before You Call	17
Operating instructions	7	Limited Warranty	20
Preparing and Loading Dishes	10		



WARNING

Please read all instructions before using this dishwasher.

For your Safety

- Use your dishwasher only as instructed in this User Manual.
- This Manual does not cover every possible condition and situation that may occur. Use common sense and caution when installing, operating and maintaining any appliance.
- NSF certified residential dishwashers are not intended for licensed food establishments.
- **DISHWASHER MUST BE ELECTRICALLY GROUNDED.** Read the Installation Instructions for details.
- This dishwasher is designed to operate on regular house current (120V, 60Hz). Use a circuit equipped with a 15 ampere fuse or circuit breaker. Use a 20 ampere fuse if dishwasher is connected with a food disposer.
- Do not operate dishwasher unless all enclosure panels are in their proper place.
- To avoid entrapment and/or suffocation, remove door or door latch mechanism from any dishwasher that is discarded or not in use.
- Keep young children and infants away from dishwasher when it is operating.
- Do not let children abuse, sit, stand or play on door or racks of a dishwasher.
- Use only detergents and rinse agents recommended for use in a dishwasher.
- Store dishwasher detergent and rinse agents out of the reach of children.
- Do not wash plastic items unless marked: "Dishwasher Safe" or equivalent. Check with manufacturer for recommendations, if not marked. Items that are not marked dishwasher safe may melt and create a potential fire hazard.
- Disconnect electrical power to dishwasher before servicing.
- If the dishwasher drains into a food disposer, make sure disposer is completely empty before running dishwasher.

- Repairs should be done by a qualified technician.
- Do not tamper with controls.
- Do not touch the heating element during or immediately after
- Use care unloading the dishwasher when the Sanitize option has been selected. Contents may be hot to the touch immediately after the end of cycle.
- Water vapor from the vent may be hot to the touch when the Sanitize option has been selected. Use care and do not let small children play around or touch the vent area of the dishwasher.
- When loading items to be washed:
 - Locate sharp items and knives so that they are not likely to damage the door seal or tub.
 - Load sharp items and knives with the handles up to reduce the risk of cut-type injuries.
- Under certain conditions, hydrogen gas may be produced in a hot water system that has not been used for 2 weeks or more. **HYDROGEN GAS IS EXPLOSIVE.** If hot water system has not been used for such a period, before using dishwasher, turn on for several minutes. This will release any accumulated hydrogen gas. **HYDROGEN GAS IS FLAMMABLE.** Do no smoke or use an open flame during this time.
- Do not store or use combustible materials, gasoline or other flammable vapors and liquids in the vicinity of this or any other appliance.



WARNING

To reduce the risk of fire, electrical shock or injury when using your dishwasher, follow the above basic precautions.



WARNING

This symbol will help alert you to such dangers as personal injury, burns, fire and electrical shock.

Thank you for choosing **IKEA**.

This User Manual is part of our commitment to customer satisfaction and product quality throughout the service life of your new appliance.

We view your purchase as the beginning of a relationship. To ensure our ability to continue serving you, please use this page to record important product information.

Purchase Date

Model Number

Serial Number



NOTE

Why Energy Efficient Units run long cycles: Several factors are important to washing dishware. The energy use of the dishwasher was reduced by applying more of the factors that don't use so much energy and less of the ones that use more. As a result, you will see that the wash cycles take longer.



NOTE

The dishwasher is programmed to remember your last cycle so you do not have to reset each time. To start the dishwasher using the same cycle and options selected on the previous wash, just press the START/Cancel pad.



NOTE

Lights on the console will remain on once the door is shut and wash cycle begins. If it is preferred to have the lights turn off while cycle is running see Console Lights section for instructions.



NOTE

Very Important Information - Read Before Operating Your Dishwasher!

Normal Operating Sounds

This dishwasher does not sound like most dishwashers - **IT'S QUIETER.**

Your Direct Feed Wash System dishwasher uses energy efficient motors for the wash and drain portions of the cycle you select. Each cycle has a series of water fills and drains for washing and rinsing dishes. As each cycle begins, you may-or may not- hear the drain motor. The next sound you will hear is the splashing water as it enters the tub.

PLEASE BE ADVISED: If you compare this dishwasher to previous models, you may be surprised at what you DON'T hear.

Getting Started

1. Load Dishwasher (See Preparing and Loading Dishes).
2. Add detergent (See Dishwasher Dispenser & Detergents).
3. Add Rinse Aid, if needed (See Rinse Aid).
4. Select desired CYCLE (See Cycle Chart). *The indicator light will glow when selected.*
5. Select desired OPTION (See Energy Options). *The indicator light will glow when selected.*
6. Run hot water faucet nearest dishwasher until water is at or near 120°F for optimal performance (See Water Temperature). Turn water off.
7. To start, press START/Cancel pad.
8. Close door to latch.



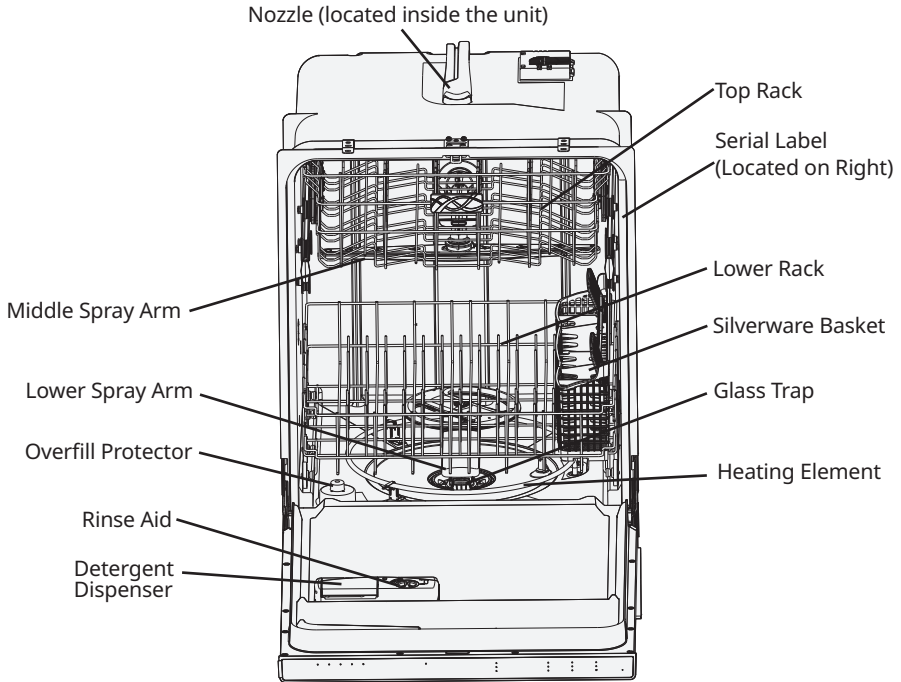
NOTE

If the dishwasher door is opened while the unit is running, the START/Cancel pad must be pressed and the door shut immediately to return the unit to the selected cycle and option, this must happen within 10 minutes for the unit to continue the cycle.

FEATURES AT A GLANCE

EN

Your dishwasher cleans by spraying a mixture of hot water and detergent through the spray arms against soiled surfaces. First, the dishwasher fills with water covering the filter area. Water is then pumped through the spray arms. Soil particles go across the filter and down the drain as the water is pumped out. This series of steps are repeated as needed. The number of water fills vary with the cycle being used.



OPERATING INSTRUCTIONS

Wash Cycle Selections

Cycle times are approximate and will vary with options selected. Hot water is necessary to activate dishwasher detergent and melt fatty food soils. An automatic sensor will check the incoming water temperature and, if it is not hot enough, the cycle will be lengthened for automatic water heating in the main wash and final rinse of all cycles. This happens even when High Wash Temp option has not been selected. High Wash Temp is selected, an even higher temperature will be reached to handle heavier soil loads.

NOTE

Lights on the console will remain on once the door is shut and wash cycle begins. If it is preferred to have the lights turn off while cycle is running see Console Lights section for instructions.

Option Selections (available on select Models)

High Wash Temp Option

When High Wash Temp option is selected, the dishwasher heats water in the main wash to approximately 140°F (60°C).

This increase in water temperature helps the dishwasher detergent remove food grease and soil from dishes more effectively and aids in drying. High Wash Temp option is available on Heavy Wash, and Normal Wash cycles. High Wash Temp is automatically provided when the Heavy Wash cycle is selected.

When High Wash Temp option is selected, the indicator light will come on and remain on until end of cycle. To turn off the High Wash Temp option, press Wash Temp until the desired temperature option is selected. The indicator light will turn off.

Heat Dry/Air Dry

Use of the Heat Dry option, especially in combination with use of rinse agent, will enhance drying. If Air Dry is selected the heater will be de-activated during the drying phase of the selected wash cycle. This will slightly lower the energy use but will increase the likelihood that the dishware will not dry completely.

Max Dry

When Max Dry option is selected, the dishwasher extends drying time by approximately 20 minutes. The Max Dry option can be used with all cycles except Energy Saver, and Rinse Only. For best drying performance, also apply an increased wash temperature by selecting High Wash Temp or even better, the Sanitize option.

The energy required to use the Max Dry option costs pennies per cycle. You may choose not to select the Max Dry option; however you may have items in your dish load that will not be completely dry at the end of the cycle.

Sanitize Option

To sanitize your dishes and glassware, select the Sanitize option. When selected, the indicator light will come on and remain on until the end of cycle. The water temperature in the final rinse will be raised to 156°F (69°C). This option is available in Heavy Wash, and Normal Wash cycles. Only these sanitization cycles have been designed to meet NSF requirements.

The cycle time will be extended until the proper water temperature is reached.

Washing action will continue during the water heating delay. For best results, the incoming water temperature should be at least 120°F (49°C).

The sanitize criteria may not be satisfied if there is an interruption of the cycle, power failure or if the incoming water temperature is below 120°F (49°C).

To turn off the Sanitize option, Wash Temp until the desired temperature option is selected. The indicator light will turn off.

Delay Time

The Delay Time option allows you to automatically delay starting your dishwasher for 2, 4, or 6 hours.

To start the Delay Time option, press Delay Time until the desired delay time LED is illuminated. Press the START/Cancel pad to start the delay option. If the delay option is interrupted, the START/Cancel pad will have to be pressed again to return to the delay option.

To cancel the Delay Time option and **to begin the selected cycle before the delay period is over**, press and hold START/Cancel pad for 3 seconds.

To Cancel a Cycle

You can cancel a cycle anytime during the cycle. Press and hold the START/Cancel pad for 3 seconds. The light above the cycle and option selected will go out, and the START/Cancel light will remain illuminated, the dishwasher will start a 90 second drain. At the end of the drain, select the next desired cycle.

Control Lock

To prevent children from accidentally changing the dishwasher cycle or starting the dishwasher, to lock the dishwasher controls press and hold Control Lock for 3 seconds. An indicator light on the lock graphic pad will illuminate when the controls are locked and no new selections can be made until the lock is released. To unlock the controls, press Control Lock again for 3 seconds, and the indicator light will go out.

Status Indicator Lights

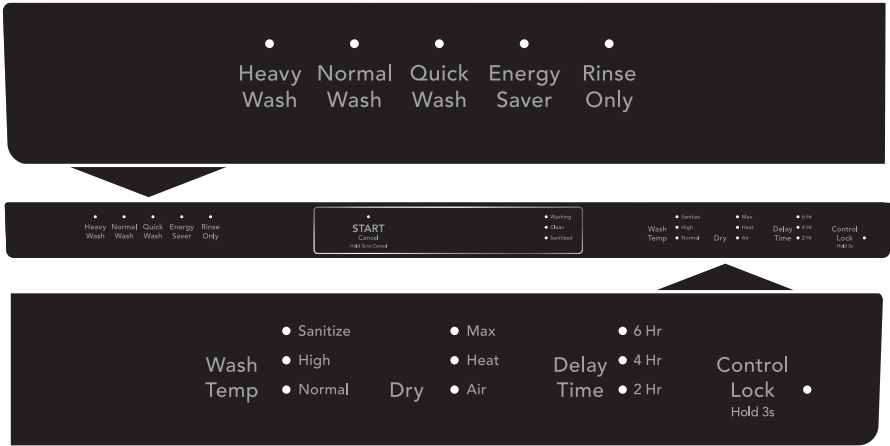
The console lights provide information about the cycle selection and current status. During operation, while the door is closed, these lights will remain on. At the completion of the cycle, the clean light will come on. The Sanitized light will also come on if that option was selected and sanitization was achieved during the wash cycle.

In the unlikely event that the dishwasher malfunctions, or gives poor performance you can call the IKEA Customer Care Center at **(833) 337-4006**. They will be able to provide assistance in troubleshooting the problem and/or locating an authorized service technician, if needed.

Console Lights

If it is desired to have the console lights remain off while running, perform the following operation: Prior to starting a cycle, press and hold Heavy Wash and Rinse Only simultaneously for approximately 8 seconds until the corresponding lights flash. This will turn the console lights off during cycle operation. Simply repeat this operation to revert back to the previous setting.

Overlay



The dishwasher checks the soil level on your dishes in the Heavy Wash, Normal Wash, and Energy Saver Cycles. In response, automatic cycle adjustments are made to assure the dishware gets clean - with less food the cycle gets shorter. Cycle time will also vary based on the options selected and the incoming water temperature. **Not all cycles available on all models.**

Cycle and Option Chart

Cycle	Available Options	Water (approx.)	Time *(Hours)
Heavy Wash* Recommended for pots, pans, casseroles and dinnerware having light to heavily soiled loads.	Temperature: Sanitize, High Drying: Max Dry, Heat, Air	7.1 - 9.4 gal. 28 - 36 L.	2¾ - 4
Normal Wash* Recommended for lightly to heavily soiled loads.	Temperature: Sanitize, High, Normal Drying: Max Dry, Heat, Air	3.2 - 9.2 gal. 12 - 35 L.	1¾ - 4
Quick Wash Recommended for lightly soiled loads only.	Temperature: Normal Drying: Max Dry, Heat, Air	5.4 gal. 20 L.	34 min. (Air Dry Only)
Energy Saver* Recommended for lightly soiled loads.	Temperature: Normal Drying: Air	4.8 - 5.8 gal. 18 - 22 L.	1½ - 2
Rinse Only For rinsing dishware that will be washed later.	None	2.5 gal. 9 L.	¼ (Air Dry Only)

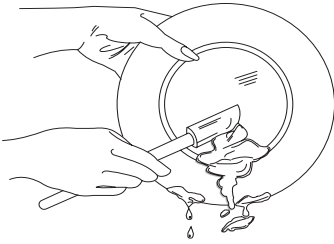
* Cycle uses Soil Sensing feature to determine best Wash performance.

Dish Preparation

Scrape away large pieces of food, bones, pits, toothpicks, etc. The continuously filtered wash fluid will remove remaining food particles. Burned-on foods should be loosened before loading. Empty liquids from glasses and cups.

Foods such as mustard, mayonnaise, vinegar, lemon juice and tomato based products may cause discoloration of stainless steel and plastics if allowed to sit for a long period of time. Unless the dishwasher is to be operated at once, it is best to pre-rinse or use the Rinse Only cycle to rinse off these food soils.

- Load racks so that large items do not prevent the detergent dispenser from opening.
- Check manufacturer's recommendations before washing items in question.
- If the dishwasher drains into a Food Disposer, **be sure disposer is completely empty before starting dishwasher.**



Loading the Top Rack

Features and appearance of racks and silverware basket as shown may vary from your model.

The upper rack is designed for flexibility in loading a wide variety of items including cups, glasses, stemware, small plates, bowls, etc.

Load glasses in top rack only. Damage may occur if placed in bottom rack.

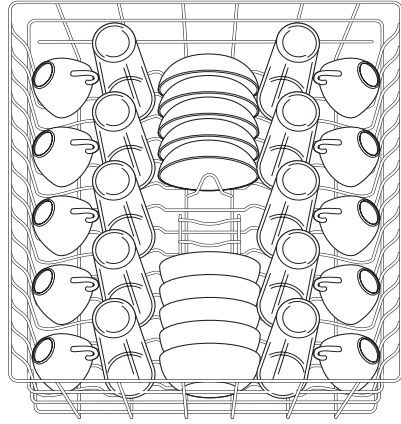
Load plastic items in top rack only. Melting may occur if placed in bottom rack.

Load items with open ends facing down for better cleaning and draining.

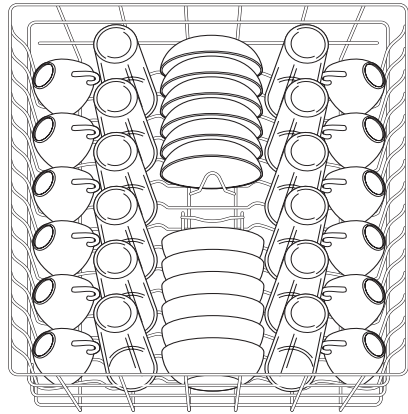
Damage may occur if delicate items touch each other during dishwasher operation.

Long-handled knives and utensils can be placed in top rack.

Be sure nothing protrudes through the bottom of the rack to block rotation of middle spray arm.



10 place settings standard loading pattern

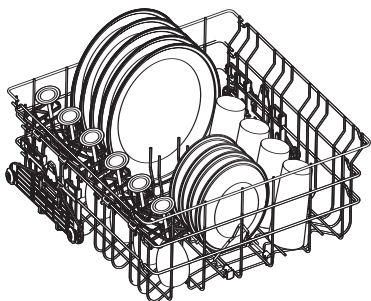


12 place settings standard loading pattern

Upper Rack

The Upper Rack cycle directs cleaning only to items in the upper rack and can be used to wash a wide assortment of items. It is useful for washing partial loads - especially when the upper rack fills up with glasses and the lower rack is still empty.

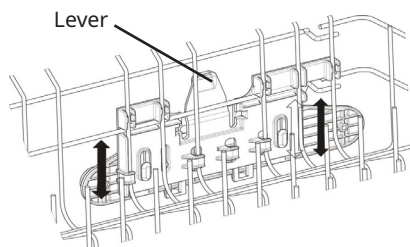
STEMWARE HOLDER/CUPSHelf not available on all models.



Adjustable Upper Rack

To raise the upper rack, refer to the figure below.

Press the lever toward the center of the rack and pull straight up on the rack.



To lower the upper rack, press the lever and push down on the rack.

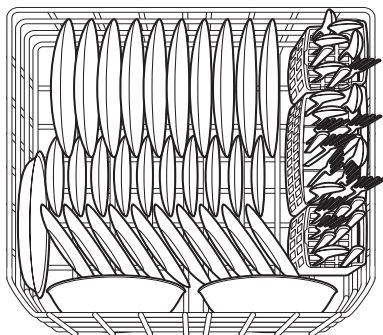
Loading the Bottom Rack

Features and appearance of racks and silverware basket as shown may vary from your model.

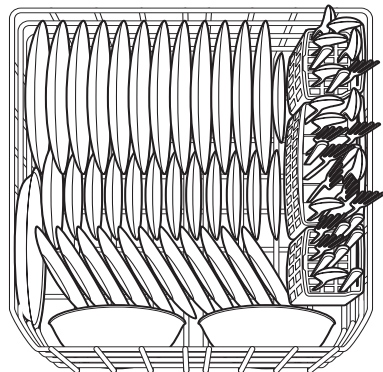
The lower rack is best for plates, saucers, bowls, and cookware. Large items should be placed along the edge so they do not block the spray arm rotation. For best results, place bowls, casseroles, and sauce pans with soiled surface facing down and toward the center. Tilt slightly for better drainage.

Spin the middle spray arm to make sure that tall items do not block the rotation

Be sure pan handles do not protrude through the bottom of the rack and block the lower spray arm rotation.



10 place settings standard loading pattern.



12 place settings standard loading pattern

Loading the Silverware Basket



CAUTION

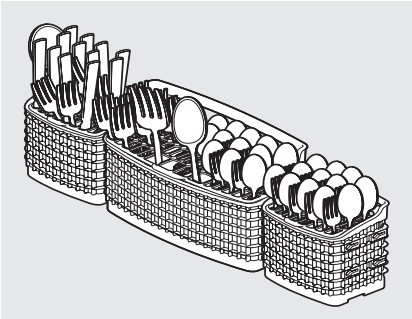
Load sharp items (knives, skewers, etc.) pointing down.

Failure to do so may result in injury.

Features and appearance of racks and silverware basket as shown may vary from your model.

Load the silverware basket while it is in the bottom rack or take the basket out for loading on a counter or table.

For baskets with lids, small items like baby bottle caps, jar lids, corn cob holders, etc., can be placed in a covered section to hold them in place.

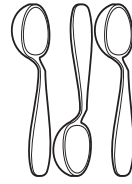


Use suggested loading patterns, as shown, to increase washability of the silverware.

Be sure nothing protrudes through bottom of basket or rack to block the spray arm.

To avoid damaging the silver finish do not mix silver and stainless.

When covers are up, mix items in each section of the basket with some pointing up and some down to avoid nesting. Water spray cannot reach nested items.



Adding a Dish

To add or remove items after wash cycle starts:

- Unlatch door and wait a few seconds until wash action stops before opening.
- Add the item, move the door to a near-closed position, and wait a few seconds while the cold air slowly expands inside the dishwasher.
- Press the **START/CANCEL** pad then close the door firmly within 4 seconds to resume cycle.



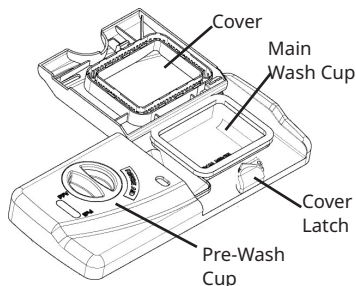
WARNING

Open the door very slowly & carefully if the dishwasher is operating. There is a risk of hot water squirting out.

Filling the Detergent Dispenser

The detergent dispenser has two detergent cups. The smaller one is for addition to the pre-wash and the larger is for release to the main wash.

- Use only fresh automatic dishwashing detergent. Other detergents may cause oversudsing.
- When using automatic dishwashing detergent tablets or packets, use only one tablet or packet, place in the main wash cup and close.
- Add detergent just before starting cycle.
- Store detergent in a cool, dry location and discard any that becomes moist or caked.



If the cover is closed on the Main Wash Cup open by pressing the Cover Latch.

How much Detergent to use

The amount of detergent to use depends on the water hardness. Water hardness is measured in grains per gallon. Using too little detergent can result in poor cleaning and hard water filming or spotting. Using too much detergent in soft water can cause etching to some glassware which is surface damage that appears like a film but cannot be wiped off. Your local water company, water softener company or county extension agent can tell you the water hardness in your area.



CAUTION

The use of industrial grade detergent can damage the heating coil and other parts of the dishwasher leading to damage to the unit and surrounding property. Use only household grade automatic dishwasher detergents.

Detergent Usage Chart

Cycle	Soft Water (0-3 grains)	Medium Hard Water (4-8 grains)	Hard Water (9-12 grains)	Very Hard Water (Over 12 grains)
Heavy Wash or Normal Wash	2 teaspoons (each cup: $\frac{1}{4}$ full)	5 teaspoons (each cup- fill to line above "Regular")	8 teaspoons (each cup- completely full)	Each Cup- Completely Full (water softener recommended)
Quick Wash, or Energy Saver	2 teaspoons (Main Wash cup: $\frac{1}{4}$ full)	5 teaspoons (each cup- fill to line above "Regular")	8 teaspoons (Main Wash cup- completely full)	Main Wash Cup- Completely Full (water softener recommended)
Rinse Only	No Detergent	No Detergent	No Detergent	No Detergent (water softener recommended)

As a rule, use 1 teaspoon for each grain above 12. For very hard water, detergent alone may not be enough and then a water softener is recommended to improve water quality and dishwashing performance. However, when - using automatic dishwashing detergent tablets or packets simply place one in the main wash cup.

Rinse Aid

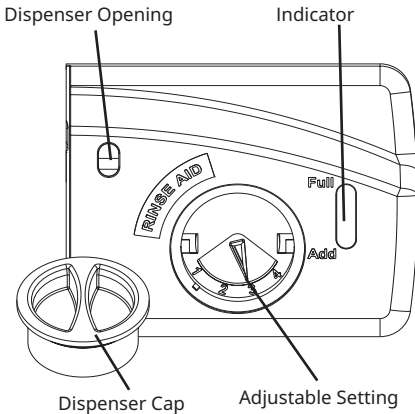
Rinse aid greatly improves drying and reduces water spots. With it water “sheets” off dishes rather than forming water droplets that cling and leave spots.

A dispenser, located next to the detergent cup, automatically releases a measured amount of rinse aid during the last rinse. If spotting and poor drying are problems, increase the amount of rinse aid dispensed by rotating the dial to a higher number. The dial is located under the dispenser cap. The indicator will be dark when full and will show clear when it is time to refill.

To add liquid rinse aid, turn dispense cap 1/4 turn counterclockwise and lift out. Pour in rinse aid until liquid touches the indicated fill level. Replace cap.

Do not overfill since this can cause oversudsing. Wipe up any spills with a damp cloth.

The dispenser holds enough for 35 to 140 washes, depending on the dial setting.



Water Pressure

The hot water line to dishwasher must provide water pressure between 20 and 120 psi.

Low Water pressure may occur when laundry or showers are in operation. If you experience poor wash performance you may need to wait until water use is reduced before starting dishwasher.

Water Temperature

Hot water is needed for best dishwashing and drying results. Water entering dishwasher should be at least 120°F (49°C) to give satisfactory results.

To check water temperature entering dishwasher:

- Turn on hot water faucet nearest dishwasher for several minutes to clear cool water from pipes.
- Hold a candy or meat thermometer in the water stream to check the temperature.
- If temperature is below 120°F (49°C), have a qualified person raise the hot water heater thermostat setting.



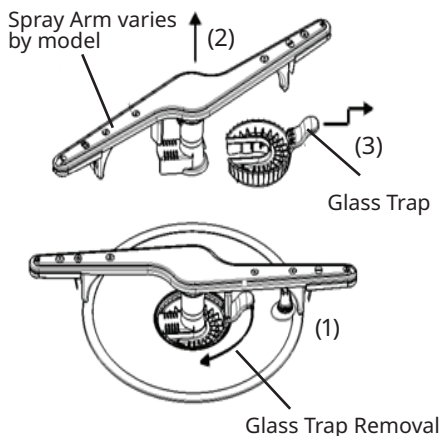
IMPORTANT

Before starting a cycle, run hot water to clear cool water from pipe.



NOTE

The Heat Dry option in combination with rinse aid will enhance drying performance. The energy required to use the Heat Dry option costs pennies per cycle. You may choose not to select the Heat Dry option; however you will have items in your dish load that will not be completely dry at the end of the cycle.



To empty the glass trap:

1. Grasp the glass trap's handle and rotate it 90° clockwise while pressing down on the center of the wash arm.
2. Grab the spray arm in the center and lift the spray arm and glass trap assembly up and out from the dishwasher.
3. Tip the assembly over an appropriate container and tap it to empty the glass trap
OR, separate the glass trap - pull the glass trap handle toward you, then up, then further toward you to slide it away from the rest of the assembly; empty it into an appropriate container; then slide the glass trap back into the assembly.
4. Place the assembly back into position, press down on the arm at the center and rotate the glass trap handle 90° counterclockwise being sure the glass trap ends in the orientation shown in the image above. **To avoid damage to your unit make sure the spray arm and glass trap are fully snapped in place.**



WARNING



Burn Hazard

Allow heating element to cool before cleaning the interior.

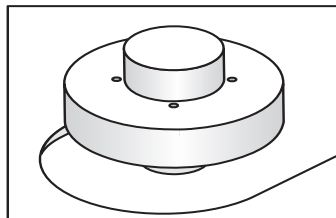
Failure to do so can result in burns.

Outer Door - Clean outer door with warm soapy water and a dishcloth or sponge. Rinse with clean water and a dry cloth. Do not use harsh cleaners.

Inside - The inside of the dishwasher and filter are self-cleaning with normal use. If needed, clean around the tub gasket area with a damp cloth. The filter is self-cleaning. A glass trap located in the center of the filter is designed to collect pieces of broken glass, straws, bones and pits.

Overfill Protector- keeps dishwasher from overflowing and is located in the left front corner of the tub.

- Clean occasionally with household cleaner containing vinegar or bleach to dissolve any buildup.
- Overfill Protector should move up and down freely about one inch. If it does not move, lift and clean underneath.



NOTE

Hard water may cause lime deposit buildup on the interior of the dishwasher. For cleaning instructions see "Removing Spots and film" section.

Care of Drain Air Gap

If a drain air gap was installed for your built-in dishwasher, check to make sure it is clean so the dishwasher will drain properly. A drain air gap is usually mounted on countertop and can be inspected by removing the cover. This is not part of your dishwasher and is not covered by warranty.



CAUTION

Property Damage Hazard

Freezing temperatures may cause water lines to rupture. Be sure all supply lines to and circulating lines within dishwasher are protected.

Failure to do so could result in property damage.



NOTE

See Installation Instructions for more details on disconnecting and restoring service to your dishwasher.

Winterizing

A dishwasher left in an unheated place should be protected from freezing. Have a qualified person do the following:

To Disconnect Service:

1. Turn off electrical power to the dishwasher at the supply source by removing fuses or tripping circuit breaker.
2. Shut off water supply
3. Place a pan under the inlet valve. Disconnect water line from inlet valve and drain into pan.
4. Disconnect drain line from pump and drain water into pan.

To Restore Service:

1. Direct water line discharge into a pan and open the valve to flush the line.
2. Reconnect the water, drain, and electrical power supply.
3. Turn on water and electrical power supply.
4. Fill both detergent cups and run dishwasher through a Heavy Wash/Power Plus cycle.
5. Check connections to make sure they do not leak.

Before calling for service, review this list. It may save you both time and expense. This list includes common experiences that are not the result of defective workmanship or material in your dishwasher.

Food Soils Left on Dishes

- Choose another cycle for longer washing time.
- Check rack loading section for proper loading-avoid nesting items.
- Home water pressure may be too low-should be 20 to 120 pounds per square inch (psi).
- Check incoming water temperature. It should be about 120°F (49°C). (See Factors Affecting Performance.)
- Check water hardness. For extremely hard water, it may be necessary to install a water softener. (See Detergent Chart).
- Use Fresh Detergent.
- Make sure items are not blocking the spray arms, preventing them from rotating.
- Do not overload the dishwasher (See Preparing and Loading Dishes).
- Check to verify that the glass trap is maintained and installed properly (See Care and Cleaning).

Dishes not Dry

- Select heat or Max dry option.
- Make sure the rinse aid dispenser is filled.
- Increase the discharge setting of rinse aid. (See Rinse Aid).
- Check the incoming water temperature. Be sure it is at least 120°F (49°C).
- Check for proper loading-avoid nesting items.
- Cups with a concave bottom will collect water. Load them at the far left and right of the upper rack so they will be held in a tilted position.

- Containers, bowls, pots/pans, and any dishware with concave surfaces that can collect water should be placed in the rack facing or angled down so that water is able to drain even from the lowest point.
- Plastic items may need to be towel dried.

Glassware/Flatware Spotted or Cloudy

- Check water hardness. For extremely hard water, it may be necessary to install a water softener. (See Detergent Chart).
- Water temperature may be low. Avoid extremely low or high temperatures. (See Factors Affecting Performance.)
- Avoid overloading and improper loading. (See Preparing and Loading Dishes).
- Use fresh detergent. Old detergent is ineffective.
- Make sure rinse aid dispenser is filled.
- Check to see that proper amount of detergent is being used for cycle selected. (See Detergent Dispenser).
- Home water pressure may be too low-it should be 20 to 120 pounds per square inch (psi).

Dishware Chipped

- Load with care and do not overload. (See Preparing and Loading Dishes).
- Place delicate items in top rack.
- Place glasses securely against pins and not over pins.
- Load items so they are secure and don't jar loose when moving racks in and out. Move racks in and out slowly.
- Make sure tall glasses and stemware will clear top of tub when rack is pushed in.
- Fine antique china and crystal should be hand-washed.

Vapor at Vent

- Spilled rinse aid can cause foam and lead to overflowing. Wipe up any spills with a damp cloth.

Dishware Stained or Discolored

- Tea and coffee can stain cups. Remove the stains by hand washing in a solution of 1/2 cup (120 ml) bleach and one quart (1L) of warm water. Rinse thoroughly.
- Iron deposits in water can cause a yellow or brown film. A special filter installed in the water supply line will correct this problem. (See Removing Spots and Film).
- Aluminum utensils can leave gray/black marks when they rub against other items. Load Properly.
- Certain high acid foods can cause discoloration of stainless steel and plastics if allowed to sit for a long period. Use the Rinse Only cycle or rinse by hand if not operating dishwasher at once.
- Mixing stainless steel and silver utensils in silverware basket can cause pitting of the stainless steel blades. Avoid mixing stainless steel and silver.

Water in Bottom of Tub

- Water left in the tub bottom after the cycle is complete is not normal. If water remains in the bottom of the tub, the dishwasher may not be draining properly. (See Dishwasher Does not Drain Properly).

Cycle Takes a Long Time

- The cycle may have been automatically lengthened to reach key temperatures due to some factor such as a cool water supply or a large load of dishes.
- Delay Start option may have been selected.
- Choose lower temperature options to shorten the cycle.
- Cycles that are soil-sensing adjust automatically to assure a good wash - heavier soils will elicit a longer cycle response.

Etching

- Using too much detergent especially in soft or softened water causes damage that looks like a film but cannot be removed.
- Adjust the amount of detergent based on the water hardness. (Check Detergent Chart).
- Lower the water temperature by selecting one of the lower temperature options.

Detergent Left in Cups

- Detergent may be old. Discard and use fresh detergent.
- Be sure the dish load doesn't block spray from entering the detergent cup.
- Check to see if cycle has been completed.
- Make sure items do not prevent the detergent dispenser from opening.

Dishwasher Leaks

- Check that the door gasket is pressed into its mounting channel, reaches to the bottom of the tub and does not extend beyond the end rib so as to interfere with door closure.
- Spilled rinse aide can cause foam and lead to overflowing. Wipe up any spills with a damp cloth.
- Check to see that the dishwasher is level. (See Installation Instructions).
- Avoid oversudsing by using the correct amount of detergent designed for automatic dishwashers.
- Check to see that dishwasher is level. (See Installation Instructions).

Normal Sounds You Will Hear

- Normal sounds include water fill, water spray, draining and motor sounds.
- There is a noticeable change in sound when the wash action switches between the lower and middle spray arm. This is normal since each spray arm has its own sound.
- It is normal for the dishwasher to pause (no sound) when the wash action is switching between the lower and middle spray arms.

Dishwasher Won't Run

- Check to see if circuit breaker is tripped or if a fuse is blown.
- Make sure water supply is turned on.
- Check to see if cycle is set correctly. (See Operating Instructions).
- Is dishwasher set for Delay Start Option?
- Make sure START/Cancel pad is pressed after cycle has been selected.
- Make sure door is closed and latched immediately after pressing the START/Cancel pad.

Dishwasher Won't Fill

- Assure the water supply is turned on.
- Check that the overflow protector moves up and down freely. (See Overflow Protector section).

Dishwasher Does Not Drain Properly

- If unit is hooked up to a food waste disposer, make sure the disposer is empty.
- Assure the knockout plug has been removed from inside the food waste disposer inlet.
- Assure the drain hose isn't kinked.
- Make sure cycle is complete, not in a pause.
- Assure the glass trap is maintained and installed properly assuring no clogs (See Care and Cleaning).

Dishwasher has an Odor

- Soiled dishes left in dishwasher too long can create an odor. Use Rinse Only cycle.
- There will be a "new" smell when first installed. This is normal.
- Check to see if unit is draining properly. (See Dishwasher Does Not Drain Properly).

Stains on Tub Interior

- Washing large amounts of dishware with tomato based soil can cause a pink/orange appearance. This will not affect performance and will gradually fade over time. Pre-rinsing or using the Rinse Only cycle will reduce the chance of staining. Using no heat dry option will lessen staining.

Opening the door during cycle

- If the dishwasher door is opened while the unit is running, the START/Cancel pad must be pressed and the door shut immediately to return the unit to the selected cycle and option, this must happen within 10 minutes for the unit to continue the cycle.

Removing Spots and Film

Hard water can cause lime deposit buildup on the interior of the dishwasher. Dishes and glasses may also get spots and film for a number of reasons. (See Glassware/Flatware Spotted or Cloudy section). To remove buildup, and film, clean using the following instructions:

1. Load clean dishes and glasses in normal manner. Do not load any metal utensils or silverware.
2. Do not add detergent.
3. Select the NORMAL WASH cycle. Press START/Cancel pad. Close the door.
4. Allow dishwasher to run until it starts the second water fill (approximately 8 minutes).
5. Open the door, pour 2 cups of white vinegar into the bottom of dishwasher.
6. Press START/Cancel pad. Close the door and allow cycle to finish.

How long is the IKEA guarantee valid?

This guarantee is valid for five (5) years from the original date of purchase of Your appliance at IKEA, unless the appliance is named LAGAN or TILLREDA in which case two (2) years of guarantee apply. The original sales receipt is required as proof of purchase. If service work is carried out under guarantee, this will not extend the guarantee period for the appliance.

Who will execute the service?

IKEA "Service Provider" will provide the service through its own service operations or authorized service partner network.

What does this guarantee cover?

The guarantee covers faults of the appliance which have been caused by faulty construction or material faults from the date of purchase from IKEA. This guarantee applies to domestic use only. Some exceptions not guaranteed are specified under the headline "What is not covered under this guarantee?" Within the guarantee period, the costs to remedy the fault (e.g., repairs, parts, labour and travel) will be covered, provided that the appliance is accessible for repair without special expenditure. On these conditions the local regulations are applicable. Replaced parts become the property of IKEA.

What will IKEA do to correct the problem?

IKEA appointed Service Provider will examine the product and decide, at its sole discretion, if it is covered under this guarantee. If considered covered, IKEA Service Provider or its authorized service partner through its own service operations, will then, at its sole discretion, either repair the defective product or replace it with the same or a comparable product.

What is not covered under this guarantee?

- Normal wear and tear.
- Deliberate or negligent damage, damage caused by failure to observe operating instructions, incorrect installation or by connection to the wrong voltage, damage caused by chemical or electrochemical reaction, rust, corrosion or water damage including but not limited to damage caused by excessive lime in the water supply, damage caused by abnormal environmental conditions.
- Consumable parts including batteries and lamps.
- Non-functional and decorative parts which do not affect normal use of the appliance, including any scratches and possible colour differences.
- Accidental damage caused by foreign objects or substances and cleaning or unblocking of filters, drainage systems or soap drawers.
- Damage to the following parts: ceramic glass, accessories, crockery and cutlery baskets, feed and drainage pipes, seals, lamps and lamp covers, screens, knobs, casings and parts of casings. Unless such damages can be proved to have been caused by production faults.
- Cases where no fault could be found during a technician's visit.
- Repairs not carried out by our appointed service providers and/or an authorized service contractual partner or where non-original parts have been used.
- Repairs caused by installation which is faulty or not according to specification.
- The use of the appliance in a non-domestic environment i.e. professional use.
- Transportation damages. If a customer transports the product to his home or another address, IKEA is not liable for any damage that may occur during transport. However, if IKEA delivers the product to the customer's delivery address, then damage to the product that occurs during this delivery will be covered by IKEA.
- Cost for carrying out the initial installation of the IKEA appliance. However, if an IKEA appointed Service Provider or its authorized service partner repairs or replaces the appliance under the terms of this guarantee, the appointed Service Provider or its authorized service partner will reinstall the repaired appliance or install the replacement, if necessary.

How country law applies

The IKEA guarantee gives you specific legal rights, and you may also have other rights which vary from state to state or jurisdiction to jurisdiction. However these conditions do not limit in any way consumer rights described in the local legislation.

Area of validity

For appliances which are purchased in United States or Canada, or moved to one of the mentioned countries, the services will be provided in the framework of the guarantee conditions normal in the specified country.

An obligation to carry out services in the framework of the guarantee exists only if the appliance complies and is installed in accordance with:

- the technical specifications of the country in which the guarantee claim is made;
- the Assembly Instructions and User Manual Safety Information.

The dedicated AFTER SALES for IKEA appliances

Please don't hesitate to contact IKEA appointed After Sales Service Provider to:

- make a service request under this guarantee;
- ask for clarifications on installation of the IKEA appliance in the dedicated IKEA kitchen furniture;
- ask for clarification on functions of IKEA appliances.

To ensure that we provide you with the best assistance, please read carefully the Assembly Instructions and/or the User Manual before contacting us.

How to reach us if you need our service

In order to provide you a quicker service, we recommend to use the specific phone numbers listed on this manual. Always refer to the numbers listed in



Phone number:
(833) 337-4006

Opening hours:
Monday - Friday
8:30 am - 8:00 pm EST

the booklet of the specific appliance you need an assistance for.

Please also always refer to the IKEA article number (8 digit code) placed on the rating plate of your appliance.

SAVE THE SALES RECEIPT!

It is your proof of purchase and required for the guarantee to apply. The sales receipt also reports the IKEA name and article number (8 digit code) for each of the appliances you have purchased.

Do you need extra help?

For any additional questions not related to After Sales of your appliances please contact your nearest IKEA store call centre. We recommend you read the appliance documentation carefully before contacting us.

ESSENTIELL

ES



Índice	3	Dispensador y detergentes del lavavajillas	
Instrucciones importantes de seguridad	4	13	
Introducción	5	Factores que afectan el desempeño	14
Funciones de un vistazo	6	Cuidado y limpieza	15
Instrucciones de uso	7	Antes de llamar al servicio técnico	17
Preparación y colocación de los platos	10	Garantía limitada	20



ADVERTENCIA

Por favor, lea todas las instrucciones antes de usar este lavavajillas.

Por su seguridad

- Use el lavavajillas solo como se indica en este manual de usuario.
- Este manual no abarca todas las condiciones y situaciones posibles que se pueden producir. Al instalar, hacer funcionar y mantener cualquier electrodoméstico es necesario tener sentido común y precaución.
- Los lavavajillas homologados por la NSF para uso residencial no están previstos para establecimientos con licencia para el suministro de alimentos.
- EL LAVAVAJILLAS DEBE TENER UNA CONEXIÓN A TIERRA. Para obtener más detalles, consulte las Instrucciones para la instalación.
- Este lavavajillas está diseñado para funcionar con corriente domiciliar normal (120 V, 60 Hz). Use un circuito equipado con un fusible o un disyuntor de circuitos de 15 amperios. Use un fusible de 20 amperios si el lavavajillas está conectado con un triturador de alimentos.
- No use el lavavajillas excepto que todos los paneles del compartimento donde esté instalado estén en su lugar apropiado.
- Para evitar el riesgo de atrapamiento y/o asfixia, desmonte la puerta o el mecanismo del cerrojo de la puerta de los lavavajillas desechados o que no estén en uso.
- Mantenga alejados del lavavajillas a los menores de edad cuando el lavavajillas esté funcionando.
- No permita que menores de edad hagan mal uso, se sienten, se paren o jueguen en la puerta o los portaplatos de un lavavajillas.
- Solo use detergentes y abrillantadores recomendados para lavavajillas.
- Mantenga fuera del alcance de los niños el detergente y los abrillantadores para el lavavajillas.
- No lave objetos de plástico excepto que tengan la marca: "Apto para lavavajillas" o una marca equivalente. Consulte con el fabricante las recomendaciones, si el objeto en cuestión no estuviese marcado. Los objetos que no tienen la marca de aptos para el lavavajillas, pueden derretirse y crear un riesgo potencial de incendio.
- Desconecte la fuente de alimentación eléctrica del lavavajillas antes de realizar tareas de servicio o mantenimiento.

- Si el lavavajillas drena en un triturador de alimentos, compruebe que el triturador esté completamente vacío antes de poner a funcionar el lavavajillas.
- Un técnico calificado debe realizar las reparaciones.
- No manipule los controles.
- No toque la resistencia durante el proceso o inmediatamente después de haber completado el proceso de lavado.
- Tenga cuidado al descargar el lavavajillas cuando se ha seleccionado la opción Sanitize (Limpiar). El contenido puede estar caliente al tacto inmediatamente después de haber finalizado el ciclo de lavado.
- El vapor de agua del conducto de desfogue puede estar caliente al tacto cuando se ha seleccionado la opción Sanitize (Limpiar). Tenga cuidado y no permita a los menores de edad jugar alrededor ni tocar la zona del conducto de desfogue del lavavajillas.
- Al colocar los objetos que va a lavar:
 - Coloque los objetos cortantes y cuchillos de manera que no puedan ocasionar daños a la junta de la puerta o la tina.
 - Coloque los objetos cortantes y cuchillos con el mango hacia arriba para reducir el riesgo de lesiones por cortadas.
- Bajo ciertas condiciones, en un sistema de agua caliente que ha estado sin uso durante 2 semanas o más, puede producirse gas de hidrógeno. EL GAS DE HIDRÓGENO ES EXPLOSIVO. Si se ha dejado de utilizar el sistema de agua caliente durante dicho periodo, antes de utilizar el lavavajillas, déjelo encendido durante varios minutos para liberar el gas de hidrógeno acumulado. EL GAS DE HIDRÓGENO ES INFLAMABLE. Durante este tiempo, no fume ni use llamas abiertas.
- No guarde ni use materiales combustibles, gasolina u otros gases y líquidos inflamables cerca de este o cualquier otro electrodoméstico.



ADVERTENCIA

Para reducir el riesgo de incendios, descargas eléctricas o lesiones al utilizar el lavavajillas, acate las precauciones básicas anteriormente mencionadas.



ADVERTENCIA

Estos símbolos ayudan a alertar sobre dichos peligros, por ejemplo, lesiones personales, quemaduras, incendios y descargas eléctricas.

Gracias por elegir a **IKEA**.

Esta Manual de usuario forma parte de nuestro compromiso con la satisfacción del cliente y la calidad de los productos durante toda la vida útil de su nuevo electrodoméstico.

Consideramos que su compra es el comienzo de una relación. Para garantizar nuestra posibilidad para seguirle sirviendo, use esta página para registrar la información más importante del producto.

Fecha de compra

Número de modelo

Número de serie



NOTA

¿Por qué las unidades energéticamente eficientes realizan ciclos prolongados?: Hay varios factores que son importantes para el lavado de loza. El uso de energía del lavavajillas se redujo aplicando más factores que no utilizan tanta energía y menos factores de los que utilizan más energía. Como resultado, los ciclos de lavado son más prolongados.



NOTA

El lavavajillas está programado para recordar el último ciclo y, por consiguiente, no es necesario reiniciar cada vez. Para poner en funcionamiento el lavavajillas utilizando el mismo ciclo y las opciones seleccionadas en el lavado anterior, solo presione el botón START/Cancel.



NOTA

Las luces de la consola permanecen encendidas al cerrar la puerta y comenzar el ciclo de lavado. Si prefiere que las luces permanezcan apagadas durante el funcionamiento del ciclo, consulte la sección Luces de la consola para obtener las instrucciones necesarias.



NOTA

Información muy importante - ¡Leer antes de usar el lavavajillas! Sonidos normales de funcionamiento

Este lavavajillas no suena como la mayoría de los lavavajillas - **ES MÁS SILENCIOSO**.

El lavavajillas equipado con el sistema de lavado con alimentación directa utiliza motores energéticamente eficientes para la parte de lavado y drenaje del ciclo seleccionado. Cada ciclo tiene una serie de llenados y vaciados para lavar y enjuagar los platos. A medida que comienza cada ciclo, podría oírse el funcionamiento del motor de drenaje. El siguiente sonido en oírse es el agua salpicando a medida que ingresa a la tina.

RECUERDE QUE: Si compara este lavavajillas con los modelos anteriores, se sorprenderá de lo silencioso que es.

Pasos iniciales

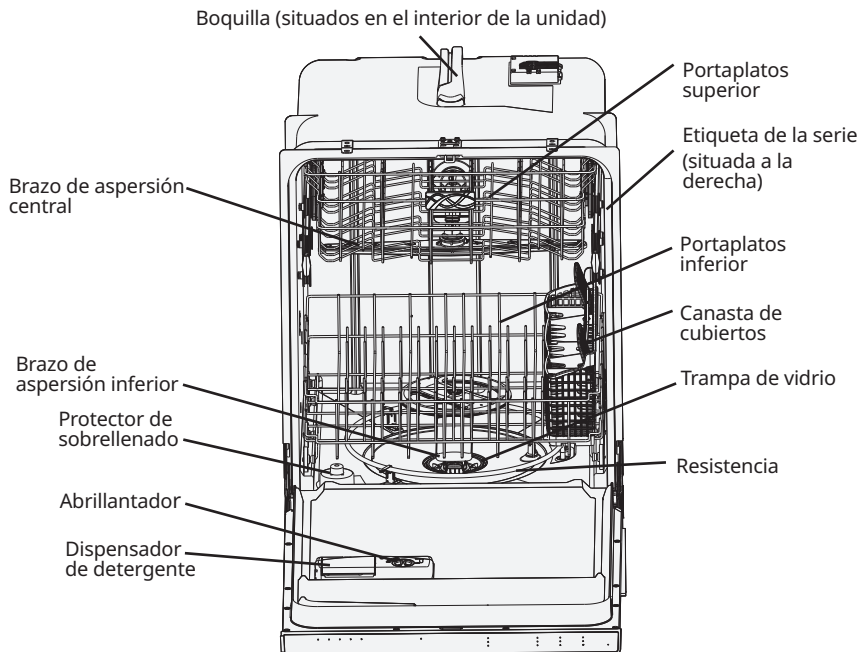
1. Cargue el lavavajillas (véase Preparación y colocación de los platos).
2. Agregue el detergente (véase Dispensador y detergentes del lavavajillas).
3. Agregue el abrillantador, si fuese necesario (véase Abrillantador).
4. Seleccione el CICLO deseado (véase Tabla de ciclos). *El indicador se enciende al seleccionar la opción.*
5. Seleccione la OPCIÓN deseada (véase Opciones de energía). *El indicador se enciende al seleccionar la opción.*
6. Abra el grifo de agua caliente que está más cerca del lavavajillas hasta que el agua esté a o cerca de 120°F para un óptimo desempeño (véase Temperatura del agua). Cierre el grifo de agua.
7. Para iniciar, presione el botón START/Cancel.
8. Cierre la puerta hasta que quede asegurada.



NOTA

Si se abre la puerta del lavavajillas cuando la unidad está funcionando, es necesario presionar el botón START/Cancel y cerrar inmediatamente la puerta para que la unidad vuelva al ciclo y la opción seleccionados, esto debe suceder en un plazo de 10 minutos para que la unidad continúe con el ciclo.

Su lavavajillas limpia rociando una mezcla de agua caliente y detergente a través de los brazos de aspersión contra las superficies sucias. En primer lugar, el lavavajillas se llena con agua hasta cubrir la zona del filtro. Posteriormente, se bombea agua a través de los brazos de aspersión. Las partículas de suciedad pasan a través del filtro y salen a medida que se drena el agua a través de la bomba. Esta serie de pasos se repite tantas veces como sea necesario. El número de llenados de agua depende del ciclo que se esté utilizando.



INSTRUCCIONES DE USO

Selección del ciclo de lavado

Los tiempos de los ciclos son aproximados y varían según las opciones seleccionadas. Para activar el detergente del lavavajillas y derretir los residuos de alimentos grasosos, se necesita agua caliente. Un sensor automático comprueba la temperatura del agua entrante y, si no es lo suficientemente caliente, se alarga el ciclo para calentar automáticamente el agua durante el lavado principal y el enjuague final de todos los ciclos. Esto sucede incluso cuando no se ha seleccionado la opción High Wash Temp (Lavado a alta temperatura). Cuando se selecciona High Wash Temp, se alcanza una temperatura aún mayor para lavar cargas más sucias.



NOTA

Las luces de la consola permanecen encendidas al cerrar la puerta y comenzar el ciclo de lavado. Si prefiere que las luces permanezcan apagadas durante el funcionamiento del ciclo, consulte la sección Luces de la consola para obtener las instrucciones necesarias.

Selección de opciones (disponible en ciertos modelos)

Opción High Wash Temp (Lavado a alta temperatura)

Cuando se selecciona la opción High Wash Temp, el lavavajillas calienta el agua durante el lavado principal a aproximadamente 140°F (60°C).

Este incremento de la temperatura del agua ayuda a que el detergente del lavavajillas elimine de los platos de forma más eficaz la grasa y la suciedad de los alimentos y ayuda al secado. La opción High Wash Temp está disponible en los ciclos Heavy Wash y Normal Wash. La opción High Wash Temp se activa automáticamente cuando se selecciona el ciclo High Wash Temp.

Cuando se selecciona la opción High Wash Temp, la luz indicadora se enciende y permanece en este estado hasta que finaliza el ciclo. Para desactivar la opción High Wash Temp, vuelva a presionar High Wash Temp. Al hacerlo, se apaga la luz indicadora.

Heat Dry/Air Dry (Secado con calor/Secado con aire)

Use la opción Heat Dry, especialmente combinada con el abrillantador, para mejorar el proceso de secado. Si se selecciona Air Dry, se desactiva el calefactor durante la fase de secado del ciclo de lavado seleccionado. Esta opción reduce ligeramente el consumo de energía, sin embargo, incrementa la posibilidad de que la loza no quede completamente seca.

Max Dry

Cuando se selecciona la opción Max Dry se incrementa el tiempo de secado del lavavajillas en aproximadamente 20 minutos. La opción Max Dry puede usarse con todos los ciclos, excepto con China Crystal, Energy Saver y Rinse Only. Para obtener los mejores resultados del proceso de secado, incremente la temperatura de lavado seleccionando High Wash Temp o aún mejor, la opción Sanitize.

La energía necesaria para usar la opción Max Dry cuesta unos centavos por ciclo. Si desea, no seleccione la opción Max Dry sin embargo, pueden quedar objetos en su carga de platos que al final del ciclo no estarán completamente secos.

Opción Sanitize (Limpiar)

Para limpiar la loza y la cristalería, seleccione la opción Sanitize (Limpia). Cuando se selecciona, la luz indicadora se enciende y permanece en este estado hasta que finaliza el ciclo. La temperatura del agua en el enjuague final aumenta a 156°F (69°C). Esta opción está disponible en los ciclos Heavy Wash y Normal Wash. Estos ciclos de limpieza están diseñados para cumplir con los requisitos de la NSF.

El tiempo del ciclo se prolonga hasta que el agua alcanza la temperatura adecuada. La acción de lavado continúa durante el retraso que produce el calentamiento del agua. Para obtener los mejores resultados, la temperatura del agua entrante debe ser de al menos 120°F (49°C).

Los criterios de limpieza pueden incumplirse si hay una interrupción del ciclo, un corte de electricidad o si la temperatura del agua entrante es menor de 120°F (49°C).

Para desactivar la opción de desinfección, pulse Temp. de lavado hasta que se seleccione la opción de temperatura deseada. Al hacerlo, se apaga la luz indicadora.

Delay Start (Aplazar inicio)

La opción Delay Start le permite aplazar automáticamente la puesta en marcha del lavavajillas dentro de un plazo de 2, 4, o 6 horas.

Para poner en marcha la opción de Delay Start, pulse Delay Start hasta que se ilumine el LED de tiempo de retardo deseado. Presione el botón START/Cancel para iniciar la opción de aplazamiento. Si se interrumpe la opción de aplazamiento, es necesario volver a presionar el botón START/Cancel para volver a la opción de aplazamiento.

Para cancelar la opción Delay Start y **comenzar el ciclo seleccionado antes de que transcurra el periodo de aplazamiento**, mantenga presionado el botón START/Cancel **durante 3 segundos**.

Para cancelar un ciclo

Puede cancelar un ciclo en cualquier momento durante el ciclo. Mantenga presionado durante 3 segundos el botón START/Cancel. Se apaga la luz que está sobre el ciclo y la opción seleccionada, y la luz START/Cancel permanece encendida, el lavavajillas comienza a drenar durante 90 segundos. Al finalizar el proceso de drenaje, seleccione el siguiente ciclo deseado.

Bloqueo de control

Para evitar que los menores de edad cambien accidentalmente el ciclo o pongan en funcionamiento el lavavajillas y para bloquear los controles del lavavajillas, mantenga presionado durante 3 segundos Control Lock. Se enciende una luz indicadora en la tecla gráfica de bloqueo cuando los controles están bloqueados y no es posible seleccionar nuevas opciones hasta que se libere el bloqueo. Para desbloquear los controles, vuelva a presionar Control Lock durante 3 segundos y se apagará la luz indicadora.

Luces indicadoras de estado

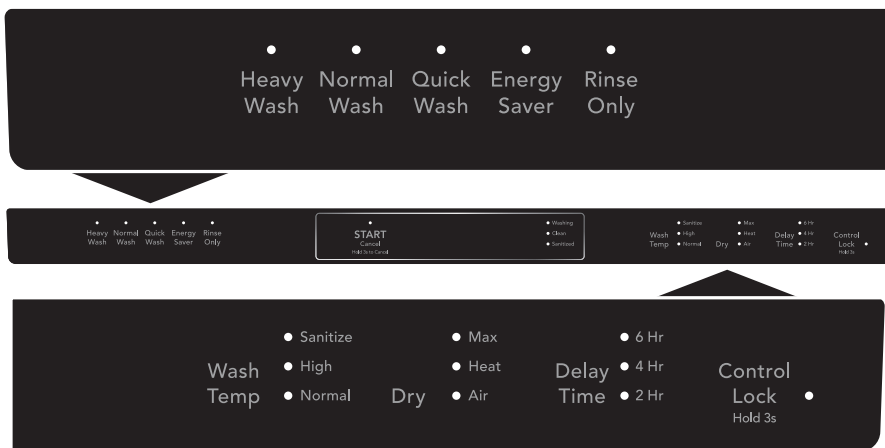
Las luces de la consola proporcionan información sobre la selección del ciclo y el estado actual. Cuando la unidad está en funcionamiento y la puerta cerrada, estas luces permanecen encendidas. Cuando se completa el ciclo, se enciende la luz Clean (Limpios). La luz de Sanitized (Limpieza) también se enciende si se ha seleccionado la opción correspondiente y se ha realizado con éxito el proceso de limpieza durante el ciclo de lavado.

En el evento poco probable que el lavavajillas presente una falla, su desempeño fuese bajo, puede llamar al Centro de atención al cliente de IKEA en el **(833) 337-4006**. Allí le proporcionarán asistencia para solucionar el problema y/o encontrar un técnico de mantenimiento autorizado, si fuese necesario.

Luces de la consola

Si desea mantener apagadas las luces de la consola mientras la unidad está en funcionamiento, efectúe el siguiente procedimiento: Antes de iniciar un ciclo, mantenga presionados al mismo tiempo durante unos 8 segundos los botones Heavy Wash y Rinse Only hasta que destellen las luces correspondientes. Al hacer esto, se apagan las luces de la consola durante la ejecución del ciclo. Para revertir al estado anterior, simplemente repita este procedimiento.

Sobreposición



La lavavajillas comprueba el grado de suciedad de los platos en los ciclos Heavy Wash, Normal Wash, y Energy Saver. Como respuesta, se realizan ajustes automáticos al ciclo para garantizar la limpieza de la loza: cuando hay menos cantidad de alimento, el ciclo se torna más corto. El tiempo del ciclo también varía según las opciones seleccionadas y la temperatura del agua entrante. **No todos los ciclos están disponibles en todos los modelos.**

Tabla de ciclos y opciones

Ciclo y uso pretendido	Opciones Disponibles	De agua por ciclo	Duración* (aprox.)
Heavy Wash* Recomendado para ollas, sartenes, cacerolas y vajillas con luz para ensuciado fuertemente cargas.	Temperatura: Sanitize, High Secado: Max Dry, Heat, Air	7.1 - 9.4 gal. 28 - 36 L.	2 ¾ - 4
Normal Wash* Recomendado para ligeramente para cargas muy sucias.	Temperatura: Sanitize, High, Normal Secado: Max Dry, Heat, Air	3.2 - 9.2 gal. 12 - 35 L.	1 ¾ - 4
Quick Wash Recomendado sólo para cargas ligeramente sucias.	Temperatura: Normal Secado: Max Dry, Heat, Air	5.4 gal. 20 L.	34 min. (Secado al aire sólo)
Energy Saver* Recomendado para cargas ligeramente sucias.	Temperatura: Normal Secado: Air	4.8 - 5.8 gal. 18 - 22 L.	1 ½ - 2
Rinse Only Para enjuagar vajilla que se lava después.	Por defecto: Opciones: No disponible	2.5 gal. 9 L.	¼ (Secado al aire sólo)

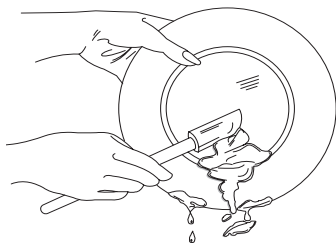
* El ciclo usa la función Soil Sensing (Detección de suciedad) para determinar el mayor grado de eficacia del lavado.

Preparación de los platos

Raspe y retire los residuos de alimentos, huesos, semillas, palillos o mondadientes, etc. El sistema de lavado con filtración continua elimina las partículas de alimento restantes. Los residuos de alimentos quemados deben aflojarse antes de colocar los platos. Vacíe los líquidos de vasos y copas.

Alimentos como mostaza, mayonesa, vinagre, zumo de limón y productos a base de tomate, pueden causar la decoloración del acero inoxidable y los plásticos si se dejan asentar durante periodos prolongados. Excepto que el lavavajillas se ponga a funcionar inmediatamente, lo mejor es enjuagar previamente o usar el ciclo Rinse Only para eliminar estos residuos de alimentos.

- Cargue los portaplatos de manera que los objetos de gran tamaño no bloqueen la apertura del dispensador de detergente.
- Compruebe las recomendaciones del fabricante antes de lavar los objetos en cuestión.
- Si el lavavajillas drena en un triturador de alimentos, **compruebe que el triturador esté completamente vacío antes de poner a funcionar el lavavajillas.**



Carga del portaplatos superior

Las características y el aspecto de los portaplatos y la canasta de cubiertos, tal y como se muestran, pueden variar según el modelo.

El portaplatos superior está diseñado para colocar más fácilmente una amplia variedad de objetos incluidos entre otros tazas, vasos, copas, platos pequeños, tazones, etc.

Coloque los vasos en el portaplatos superior únicamente. Podría dañarlos si los coloca en el portaplatos inferior.

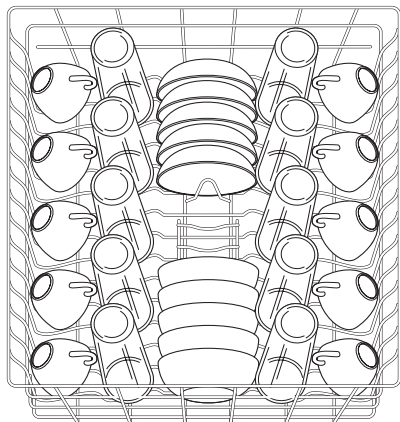
Coloque los objetos plásticos en el portaplatos superior únicamente. Si los coloca en el portaplatos inferior, podrían derretirse.

Coloque los objetos dejando el extremo abierto hacia abajo para optimizar el proceso de limpieza y drenaje.

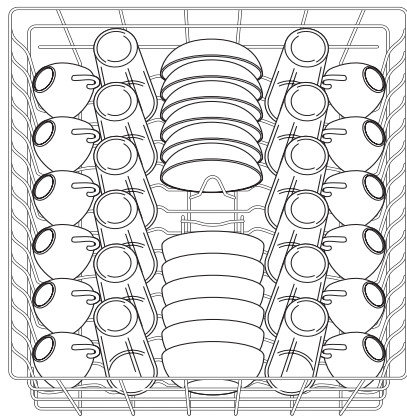
Si durante el proceso de lavado se llegasen a tocar entre sí los objetos delicados, podrían dañarse.

Los cuchillos y utensilios de mango largo deben colocarse en el portaplatos superior.

Asegúrese de que nada sobresalga a través de la base del portaplatos y, por consiguiente, bloquee la acción de giro del brazo de aspersión central.



Patrón de carga normal para 10 puestos

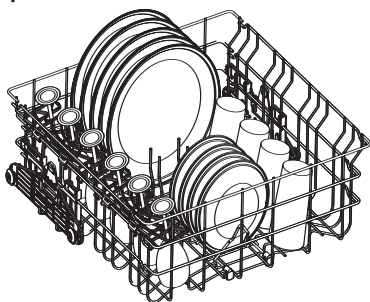


Patrón de carga normal para 12 puestos

Portaplatos superior

El ciclo Upper Rack concentra el proceso de limpieza únicamente en los objetos del portaplatos superior y puede usarse para lavar una gran variedad de objetos. Es útil para lavar cargas parciales: en especial, cuando el portaplatos superior está lleno con vasos y el portaplatos inferior está vacío.

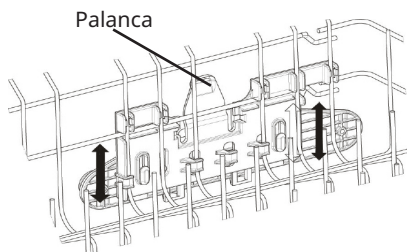
STEMWARE HOLDER/CUPSHELF no disponible en todos los modelos.



Portaplatos superior ajustable

Para subir el portaplatos superior, consulte la figura siguiente.

Presione la palanca hacia el centro del portaplatos y tire hacia arriba del portaplatos.



Para bajar el portaplatos superior, presione la palanca y empuje hacia abajo el portaplatos.

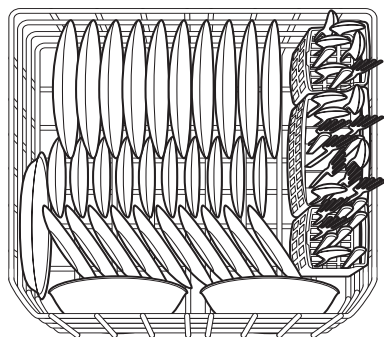
Carga del portaplatos inferior

Las características y el aspecto de los portaplatos y la canasta de cubiertos, tal y como se muestran, pueden variar según el modelo.

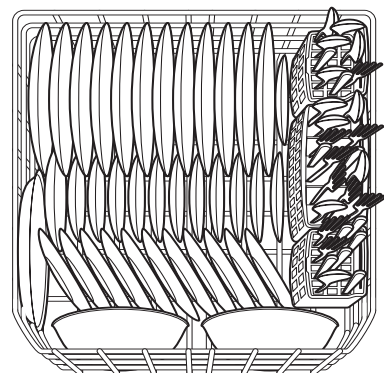
El portaplatos inferior puede usarse más eficientemente para colocar platos, platos pequeños, tazones y utensilios de cocina. Los objetos de mayor tamaño deben colocarse a lo largo del borde de manera que no bloqueen la acción de giro del brazo de aspersión. Para obtener mejores resultados, coloque los tazones, cacerolas y sartenes con la superficie sucia boca abajo y hacia el centro. Inclíne ligeramente para un mejor drenaje.

Gire el brazo de aspersión central para asegurarse de ningún objeto alto bloquee la acción de giro.

Asegúrese de que las agarraderas de sartenes o cacerolas no sobresalgan por la parte inferior del portaplatos ni bloqueen la acción de giro del brazo de aspersión inferior.



Patrón de carga normal para 10 puestos



Patrón de carga normal para 12 puestos

Carga de la canasta de cubiertos



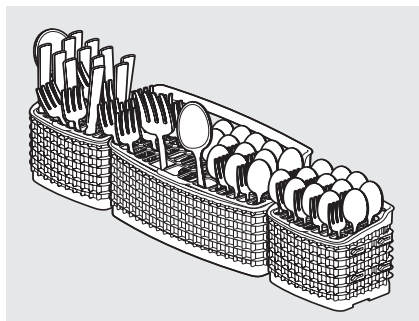
PRECAUCIÓN

Coloque los objetos cortantes (cuchillos, pinchos, etc.) apuntando hacia abajo. Ignorar esta advertencia, puede causar lesiones

Las características y el aspecto de los portaplatos y la canasta de cubiertos, tal y como se muestran, pueden variar según el modelo.

Cargue la canasta de cubiertos estando en el portaplatos inferior o extraiga la canasta para cargarla en la encimera o sobre una mesa.

En el caso de las canastas con tapas, los objetos pequeños como tapas de biberones, tapas de frascos, pinchos para mazorcas, etc., pueden colocarse en una sección cubierta para mantenerlos en su lugar.

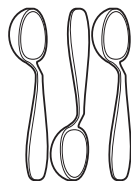
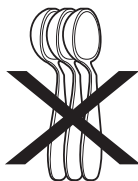


Use los patrones de carga sugeridos, tal y como se muestran, para incrementar la eficacia del lavado de cubiertos del lavavajillas.

Asegúrese de que nada sobresalga a través de la base de la canasta o del portaplatos y bloquee el brazo de aspersión.

No mezcle plata y acero inoxidable para evitar dañar el acabado de los objetos de plata.

Estando las cubiertas levantadas, mezcle los objetos en cada sección de la canasta dejando algunos hacia arriba y otros hacia abajo para evitar el apilamiento. El agua rociada no puede llegar a los objetos apilados.



Colocación de un plato adicional

Para colocar o retirar objetos después de haber iniciado el ciclo:

- Quite el cerrojo de la puerta y espere unos segundos hasta que se detenga la acción de lavado y abra la puerta.
- Coloque el objeto, desplace la puerta hasta un punto donde quede casi cerrada y espere unos pocos segundos para que el aire frío se esparza lentamente dentro del lavavajillas.
- Presione el botón START/CANCEL y luego cierre la puerta firmemente antes de 4 segundos para reanudar el ciclo.



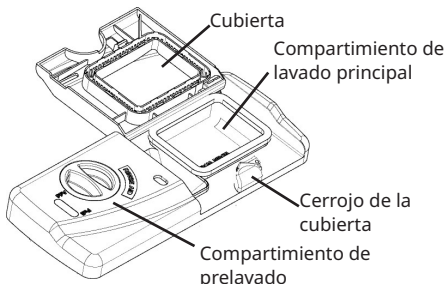
ADVERTENCIA

Abra la puerta muy lentamente y con cuidado si la lavavajillas está funcionando. Existe el riesgo de que salga agua caliente.

Llenado del dispensador de detergente

El dispensador de detergente tiene dos compartimientos de detergente. El más pequeño es para agregar detergente al prelavado y el más grande para liberar detergente al lavado principal.

- Solo use detergente fresco para lavavajillas automáticos. Los otros detergentes pueden producir espuma excesiva.
- Cuando se utilicen tabletas o paquetes para lavavajillas automáticos, solo use una tableta o paquete, colóquelo en el compartimiento de lavado principal y cierre.
- Agregue el detergente justo antes de comenzar el ciclo.
- Guarde el detergente en un lugar frío y seco y deseche el detergente que se humedezca o apelmace.



Si la cubierta está cerrada en el compartimiento de lavado principal, abra presionando el cerrojo de la cubierta.

Cantidad de detergente a usar

La cantidad de detergente a usar depende de la dureza del agua. La dureza del agua se mide en granos por galón. Utilizar muy poco detergente puede afectar adversamente el proceso de limpieza y ocasionar la formación de películas o manchas por el agua dura. Utilizar demasiado detergente en agua blanda puede ocasionar la formación de manchas superficiales en algunos objetos de vidrio y, por consiguiente, afectar la superficie con una película que no puede limpiarse. Su empresa de acueducto local, la empresa de tratamiento de aguas duras o el agente de extensión del condado, puede informarle la dureza del agua en su zona.



PRECAUCIÓN

El uso de detergentes industriales puede causar daños a la bobina de la resistencia y otras piezas del lavavajillas y, por consiguiente, dañar la unidad y los efectos circundantes. Solo use detergentes para lavavajillas automáticos de uso casero.

Tabla de uso de detergente

Ciclo	Agua Blanda (0-3 granos)	Agua Semidura (4-8 granos)	Agua Dura (9-12 granos)	Agua Muy Dura* (más de 12 granos)
Heavy Wash, o Normal Wash	2 cucharaditas (ambas tazas - 1/4 de la capacidad)	5 cucharaditas (ambas tazas - llenar hasta la línea sobre "Regular")	8 cucharaditas (ambas tazas - completamente llenas)	Ambas Tazas - Completamente Llenas (se recomienda usr suavizador de agua)
Quick Wash, o Energy Saver	2 cucharaditas (taza de lavado principal 1/4 de la capacidad)	5 cucharaditas (taza de lavado principal - llenar hasta la línea sobre "Regular")	8 cucharaditas (taza de lavado principal - completamente llena)	Taza de Lavado Principal - Completamente Llena (se recomienda usr suavizador de agua)
Rinse Only	No Agregar Detergente	No Agregar Detergente	No Agregar Detergente	No Agregar Detergente (se recomienda usr suavizador de agua)

Como regla, use 1 cucharada pequeña por cada grano sobre 12. Cuando el agua es extremadamente dura, el detergente por sí solo puede no ser suficiente y, por consiguiente, se recomienda utilizar un ablandador de agua para mejorar la calidad y la eficacia de lavado. Sin embargo, cuando se utilicen tabletas o paquetes para lavavajillas automáticos, simplemente coloque una tableta o paquete en el compartimiento de lavado principal.

Abrillantador

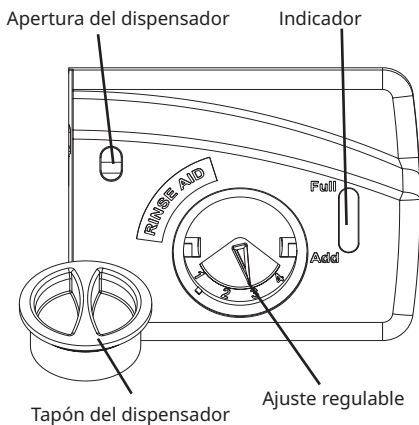
El abrillantador mejora en gran medida el proceso de secado y reduce las manchas de agua. Con el abrillantador, el agua cubre los platos en lugar de formar gotas de agua que se adhieren y dejan manchas.

Un dispensador, que está junto al compartimiento de detergente, libera automáticamente una cantidad medida de abrillantador durante el último enjuague. Si las manchas y el secado deficiente son un problema, incremente la cantidad suministrada de abrillantador situando el dial en un número mayor. El dial está debajo del tapón del dispensador. El indicador es oscuro cuando está lleno y se torna transparente cuando es el momento de volver a llenar.

Para agregar abrillantador líquido, dé 1/4 de vuelta hacia la izquierda al tapón del dispensador y levántelo. Vierta el abrillantador hasta que el líquido toque el nivel de llenado indicado y vuelva a colocar el tapón.

No llene demasiado porque puede producirse un exceso de espuma. Limpie los derrames con un paño húmedo.

El dispensador tiene una capacidad suficiente para entre 35 y 140 lavadas, según el ajuste del dial.



Presión del agua

La línea de suministro de agua caliente al lavavajillas debe tener una presión de entre 20 y 120 psi.

La presión del agua puede disminuir al utilizar la lavadora o abrir el grifo de la ducha. Si la calidad del lavado es baja, recomendamos esperar hasta que se reduzca el uso del agua para poner en funcionamiento el lavavajillas.

Temperatura del agua

Para obtener los mejores resultados del proceso de lavado y secado de platos, se necesita agua caliente. El agua que entra al lavavajillas debe tener una temperatura mínima de 120°F (49°C) para obtener resultados satisfactorios.

Para comprobar la temperatura del agua que entra al lavavajillas:

- Abra durante varios minutos el grifo de agua caliente que está más cerca del lavavajillas hasta que salga toda el agua fría de los tubos.
- Coloque un termómetro para dulces o carne bajo el chorro de agua con el fin de comprobar la temperatura.
- Si la temperatura es menor que 120°F (49°C), pida a una persona calificada que incremente el ajuste del termostato del calentador de agua.

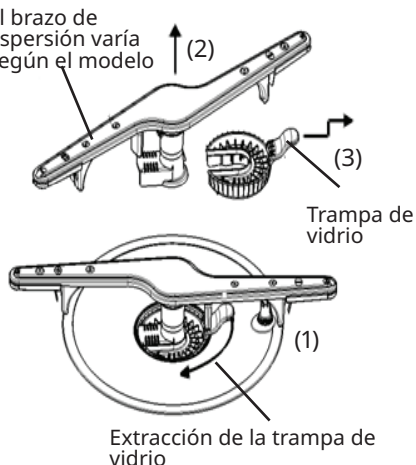


IMPORTANTE

Antes de iniciar un ciclo, deje correr el agua caliente para vaciar el agua fría de la tubería.

La opción Heat Dry (Secado con calor) combinada con el abrillantador mejora la eficacia del proceso de secado. La energía necesaria para usar la opción Heat Dry cuesta unos centavos por ciclo. Puede descartar la opción Heat Dry; sin embargo, en la carga de platos habrá objetos que no estarán completamente secos al finalizar el ciclo.

El brazo de aspersión varía según el modelo



Para vaciar la trampa de vidrio:

1. Sujete la agarradera de la trampa de vidrio y gírela 90° grados hacia la derecha mientras presiona en el centro del brazo de lavado.
2. Sujete el brazo de aspersión en el centro y levante el conjunto del brazo de aspersión y la trampa de vidrio y extráigalo del lavavajillas.
3. Incline el conjunto sobre un contenedor apropiado y golpéelo para vaciar la trampa de vidrio.
O, separe la trampa de vidrio: tire de la agarradera de la trampa de vidrio y posteriormente levántela y vuelva a tirar de la agarradera para deslizarla y retirarla del resto del conjunto; vacíela en un contenedor apropiado y, posteriormente, deslice la trampa de vidrio para volverla a colocar en el conjunto.
4. Vuelva a colocar el conjunto en su lugar, presione el brazo en el centro y gire la agarradera de la trampa de vidrio 90° grados hacia la izquierda asegurándose de que la trampa de vidrio quede finalmente con la orientación que se indica en la imagen de arriba. **Para evitar daños a la unidad, asegúrese de que el brazo de aspersión y la trampa de vidrio estén firmemente asegurados en su lugar.**



ADVERTENCIA



Riesgo de quemaduras

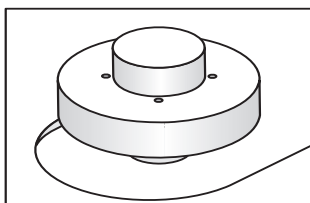
Deje enfriar la resistencia antes de limpiar el interior del lavavajillas. Si ignora esta advertencia, podría quemarse.

Puerta exterior - Limpie la puerta exterior con agua jabonosa templada y un paño para secar platos o una esponja. Enjuague con agua limpia y un paño seco. No utilice productos de limpieza abrasivos.

Interior - El interior del lavavajillas y el filtro son autolimpiantes con el uso normal. Si fuese necesario, limpie alrededor de la zona de la junta de la tina con un paño húmedo. El filtro es autolimpiante. Hay una trampa de vidrio en el centro del filtro que está diseñada para recolectar las piezas de vidrio roto, pajillas o popotes, huesos y semillas.

Protector de su relleno- evita el sobrellenado del lavavajillas y está situado en la esquina delantera izquierda de la tina.

- Limpie ocasionalmente con un producto de limpieza casero que contenga vinagre o lejía para disolver los depósitos de residuos.
- El protector de sobrellenado debe moverse libremente hacia arriba y abajo una pulgada. Si no se mueve, levante y limpie debajo del protector de sobrellenado.



NOTA

El agua dura puede ocasionar la formación de depósitos de cal en el interior del lavavajillas. Para obtener información sobre las instrucciones de limpieza, consulte la sección "Eliminación de manchas y películas".

Cuidado del espacio de aire de drenaje

Si se instaló un espacio de aire de drenaje para el lavavajillas empotrado, compruebe si dicho espacio está limpio para que el lavavajillas drene correctamente. El espacio de aire de drenaje suele instalarse en la encimera y puede revisarse quitando la cubierta. El espacio de aire de drenaje no es parte del lavavajillas y no está cubierto por la garantía.



PRECAUCIÓN

Riesgo de daños a la propiedad

Las temperaturas de congelamiento pueden ocasionar rupturas en las líneas de agua. Asegúrese de que todas las líneas de suministro y las líneas que circulan dentro del lavavajillas, estén protegidas.

Ignorar esta recomendación, podría ocasionar daños materiales.



NOTA

Consulte las Instrucciones para la instalación para obtener más detalles sobre la desconexión y la puesta en servicio del lavavajillas.

Preparación para el invierno

Si el lavavajillas va estar en un lugar sin calefacción, es necesario protegerlo contra el congelamiento. Solicite a un técnico calificado que haga lo siguiente:

Para desconectar el servicio:

1. Desconecte la fuente de alimentación eléctrica del lavavajillas retirando los fusibles o desconectando el disyuntor del circuito.
2. Cierre la fuente de agua
3. Coloque un recipiente bajo la válvula de entrada. Desconecte la línea de agua de la válvula de entrada y drene en el recipiente.
4. Desconecte la línea de drenaje de la bomba y drene el agua en el recipiente.

Para restablecer el servicio:

1. Conduzca la descarga de la línea de agua a una bandeja o cacerola y abra la válvula para vaciar la línea.
2. Vuelva a conectar la línea de suministro de agua, de drenaje y la fuente de alimentación eléctrica.
3. Abra la válvula de suministro de agua y conecte la fuente de alimentación eléctrica.
4. Llene los dos compartimientos de detergente y ponga a funcionar el lavavajillas durante un ciclo Heavy Wash.
5. Compruebe las conexiones y asegúrese de que no haya fugas.

Antes de solicitar asistencia técnica, repase esta lista. La lista en cuestión puede ahorrarle tiempo y dinero. Esta lista incluye las experiencias que ocurren con frecuencia y que no son el resultado de problemas de fabricación o de los materiales del lavavajillas.

Residuos de alimentos en los platos

- Elija otro ciclo para un tiempo de lavado más prolongado.
- Compruebe si la sección de carga de los portaplatos está correctamente acomodada evitando el apilamiento de objetos.
- La presión del suministro de agua de la casa puede estar demasiado baja; debe ser de entre 20 y 120 libras por pulgada cuadrada (psi).
- Compruebe la temperatura del agua que ingresa. Debe ser de unos 120°F (49°C). (Véase Factores que afectan el desempeño).
- Compruebe la dureza del agua. Si el agua es extremadamente dura, puede ser necesario instalar un ablandador de agua. (Véase Tabla de detergentes).
- Use detergente fresco.
- Asegúrese de que ningún objeto esté bloqueando los brazos de aspersión evitando que giren.
- No sobrecargue el lavavajillas (véase Preparación y colocación de los platos).
- Compruebe si la trampa de vidrio está bien mantenida e instalada (véase Cuidado y limpieza).

Los platos no están secos

- Seleccione la opción de secadoheat o Max.
- Asegúrese de que el dispensador de abrillantador esté lleno.
- Incremente el ajuste de descarga del abrillantador. (Véase Abrillantador).
- Compruebe la temperatura del agua que ingresa. Asegúrese de que sea de al menos 120°F (49°C).
- Compruebe si la carga es correcta y evite el apilamiento de objetos.
- Las tazas con un fondo cóncavo acumulan agua. Coloque las tazas en el extremo izquierdo y derecho del portaplatos superior de manera que queden inclinadas.

- Envases, tazones, ollas/cacerolas y platos con superficies cóncavas que puedan recolectar agua deben colocarse en el portaplatos boca abajo o inclinados de manera que el agua escurra incluso desde el punto más bajo.
- Podría ser necesario secar con un paño los objetos plásticos.

Cristalería/cubiertos manchados o percutidos

- Compruebe la dureza del agua. Si el agua es extremadamente dura, puede ser necesario instalar un ablandador de agua. (Véase Tabla de detergentes).
- La temperatura del agua podría estar baja. Evite temperaturas extremadamente bajas o altas. (Véase Factores que afectan el desempeño).
- Evite sobrecargar y acomodar mal los objetos en el lavavajillas. (Véase Preparación y colocación de los platos).
- Use detergente fresco. El detergente viejo no es eficaz.
- Compruebe si el dispensador de abrillantador está lleno.
- Compruebe si se está usando la cantidad apropiada de detergente para el ciclo seleccionado. (Véase Dispensador de detergente).
- La presión del agua de la casa puede estar demasiado baja; debe estar entre 20 y 120 libras por pulgada cuadrada (psi).

Platos desportillados

- Coloque la loza con cuidado y no sobrecargue el lavavajillas. (Véase Preparación y colocación de los platos).
- Coloque los objetos delicados en el portaplatos superior.
- Asegure firmemente los vasos contra los vástagos de apoyo y no sobre ellos.
- Coloque los objetos de manera que queden asegurados y no se suelten al introducir y sacar los portaplatos. Introduzca y saque los portaplatos lentamente.
- Asegúrese de que los vasos y copas altos no golpeen contra la tina al introducir el portaplatos.
- La porcelana antigua y los cristales finos deben lavarse a mano.

Vapor en el conducto de desfogue

- Los derrames de abrillantador pueden producir espuma y, por consiguiente, el desbordamiento. Limpie los derrames con un paño húmedo.

Platos manchados o decolorados

- El té y el café pueden manchar las tazas. Elimine las manchas lavando con la mano en una solución de 1/2 taza (120 ml) de blanqueador o lejía y un cuarto (1 l) de agua templada. Enjuague a fondo.
- Los depósitos del hierro presente en el agua pueden producir una película de color amarillo o marrón. Un filtro especial, instalado en la tubería de suministro de agua, corrige este problema. (Véase Eliminación de manchas y películas).
- Los utensilios de aluminio pueden dejar manchas grises/negras al frotarse contra otros objetos. Coloque correctamente los objetos en el lavavajillas.
- Ciertos alimentos que tienen un alto contenido de ácido pueden decolorar el acero inoxidable y el plástico si se dejan asentar durante un periodo prolongado. Use el ciclo Rinse Only (Solo enjuagar) o enjuague a mano si no va a utilizar de una vez el lavavajillas.
- Mezclar utensilios de acero inoxidable y plata en la canasta de cubiertos puede corroer las cuchillas de acero inoxidable. Evite mezclar piezas de acero inoxidable y plata.

Agua en el fondo de la tina

- No es normal que quede agua en el fondo de la tina después de completar el ciclo. Si queda agua en el fondo de la tina, es posible que el lavavajillas no esté drenando correctamente. (Véase Lavavajillas no drena correctamente).

El ciclo demora mucho tiempo

- El ciclo puede haberse prolongado automáticamente para alcanzar temperaturas que son primordiales debido a un factor como el suministro de agua fría y una gran carga de platos.
- Puede haberse seleccionado la opción Delay Start (Aplazar inicio).
- Elija las opciones cuya temperatura es menor con el fin de acortar el ciclo.
- Los ciclos en los que se detecta la suciedad se ajustan automáticamente para garantizar un buen lavado: las cargas más sucias provocan una respuesta con ciclos más prolongados.

Marcas superficiales

- El uso de una gran cantidad de detergente, en especial con aguas blandas o ablandadas, ocasiona un daño sin mirar una película que no puede eliminarse.
- Ajuste la cantidad de detergente con base en la dureza del agua. (Compruebe la Tabla de detergentes).
- Baje la temperatura del agua seleccionando una de las opciones para reducir la temperatura del agua.

Residuos de detergente en las tazas

- El detergente puede estar pasado. Deseche y use detergente fresco.
- Asegúrese de que la carga de platos no bloquee el rocío que ingresa al compartimiento de detergente.
- Compruebe si se ha completado el ciclo.
- Compruebe que no haya objetos que bloqueen la apertura del dispensador de detergente.

Fugas del lavavajillas

- Compruebe si la junta de la puerta está asegurada a presión en su canal de montaje, llega hasta el fondo de la tina y no sobrepasa la ranura del extremo sin interferir con el cierre de la puerta.
- El abrillantador derramado puede producir espuma y, por consiguiente, el desbordamiento. Limpie los derrames con un paño húmedo.
- Compruebe si el lavavajillas está nivelado. (Véase Instrucciones para la instalación).
- Evite el exceso de espuma utilizando la cantidad apropiada de detergente para lavavajillas automáticos.
- Compruebe si el lavavajillas está nivelado. (Véase Instrucciones para la instalación).

Sonidos normales que se oyen

- Los sonidos normales incluyen el llenado de agua, la aspersión de agua, el drenaje y los sonidos del motor.
- Hay un cambio notable en el sonido cuando la acción de lavado cambia entre el brazo de aspersión inferior y el central. Esta es una situación normal porque cada brazo de aspersión tiene su propio sonido.
- Es normal que el lavavajillas quede en pausa (ningún sonido) cuando la acción de lavado cambia entre los brazos de aspersión inferior y central.

El lavavajillas no funciona

- Compruebe si el disyuntor del circuito está desconectado o si hay un fusible fundido.
- Asegúrese de que haya suministro de agua.
- Compruebe si el ciclo está correctamente ajustado. (Véase Instrucciones de uso).
- ¿El lavavajillas está configurado para la opción Delay Start (Aplazar inicio)?
- Presione el botón START/Cancel después de haber seleccionado el ciclo.
- Asegúrese de que la puerta esté cerrada y asegurada inmediatamente después de haber presionado el botón START/Cancel.

No se llena el lavavajillas

- Compruebe si hay suministro de agua.
- Compruebe si el protector de sobrellenado se mueve libremente hacia arriba y hacia abajo. (Véase la sección Protector de sobrellenado).

El lavavajillas no drena correctamente

- Si la unidad está conectada a un triturador de alimentos, asegúrese de que el triturador esté vacío.
- Compruebe si se ha retirado el tapón troquelado del interior de la entrada del triturador de alimentos.
- Asegúrese de que la manguera de drenaje no esté retorcida.
- Compruebe si se ha completado el ciclo y que no esté en una pausa.
- Compruebe si la trampa de vidrio está bien mantenida e instalada asegurándose de que no haya obstrucciones (véase Cuidado y limpieza).

El lavavajillas emana un olor

- Los platos sucios que se dejen en el lavavajillas durante mucho tiempo pueden producir olores desagradables. Use el ciclo Rinse Only (Solo enjuagar).
- Cuando se instala por primera vez, el lavavajillas emana un olor a "nuevo". Esto es normal.
- Compruebe si la unidad está drenando correctamente. (Véase Lavavajillas no drena correctamente).

Manchas en el interior de la tina

- Lavar grandes cantidades de platos sucios con tomate puede dar origen a un aspecto rosado/anaranjado. Esta condición no afecta el desempeño del lavavajillas y desaparece gradualmente durante el transcurso del tiempo. Enjuagar previamente o utilizar el ciclo Rinse Only (Solo enjuagar) reduce la posibilidad de estas manchas. El uso de la opción No heat dry (Secado sin calor) también disminuye la formación de manchas.

Apertura de la puerta durante el ciclo

- Si se abre la puerta del lavavajillas cuando la unidad está funcionando, es necesario presionar el botón START/Cancel y cerrar inmediatamente la puerta para que la unidad vuelva al ciclo y la opción seleccionados, esto debe suceder en un plazo de 10 minutos para que la unidad continúe con el ciclo.

Eliminación de manchas y películas

El agua dura puede ocasionar la formación de depósitos de cal en el interior del lavavajillas. En los platos y vasos también pueden formarse manchas y películas por varias razones. (Consulte la sección Cristales/platos manchados o percutidos). Para eliminar los depósitos de cal y la película, limpie conforme a las siguientes instrucciones:

1. Coloque los platos y los vasos limpios en la forma normal. No coloque ningún utensilio metálico ni cubierto.
2. No agregue detergente.
3. Seleccione el ciclo Normal Wash (Lavado Normal). Presione el botón START/Cancel. Cierre la puerta.
4. Deje funcionar el lavavajillas hasta que inicie el segundo llenado de agua (8 minutos aproximadamente).
5. Abra la puerta y vierta 2 tazas de vinagre blanco en el fondo del lavavajillas.
6. Presione el botón START/Cancel. Cierre la puerta y espere hasta que finalice el ciclo.

¿Cuánto tiempo es válida la garantía de IKEA?

Esta garantía es válida durante un periodo de cinco (5) años, contados a partir de la fecha de compra original de su electrodoméstico en IKEA, excepto que el electrodoméstico tenga la marca LAGAN o TILLREDA, en cuyo caso, se aplica una garantía de dos (2) años. Como prueba de la compra, se exige el recibo de venta original. Si se efectúa el trabajo de servicio en virtud de la garantía, dicho trabajo no amplía el periodo de garantía del electrodoméstico.

¿Quién realiza el servicio?

El "Proveedor de servicios" de IKEA presta el servicio a través de sus propios centros o red de asociados autorizados para la prestación de servicios.

¿Qué cubre esta garantía?

La garantía cubre las fallas del electrodoméstico que hubiesen sido causadas por defectos de fabricación o materiales defectuosos, a partir de la fecha de compra a IKEA. Esta garantía se aplica únicamente al uso doméstico. Algunas excepciones no garantizadas se especifican bajo el encabezado "¿Qué no está cubierto en virtud de esta garantía?". Dentro del periodo de la garantía, están cubiertos los costos asociados con la reparación de fallas (por ejemplo, reparaciones, piezas, obra de mano y viajes), siempre y cuando el electrodoméstico en cuestión esté disponible para reparación sin que sea necesario realizar gastos especiales. Bajo estas condiciones, se aplican las regulaciones locales. Las piezas reemplazadas pasan a ser propiedad de IKEA.

¿Qué hace IKEA para corregir el problema?

El Prestador de servicios designado por IKEA revisa el producto y decide, por su propia discreción, si está cubierto en virtud de esta garantía. Si se considerase cubierto, el Prestador de servicios de IKEA o su asociado autorizado para la prestación de servicios a través de sus propios centros de servicio, por su propia discreción, o bien reparará el producto defectuoso o lo sustituirá por el mismo producto o un producto similar.

¿Qué no está cubierto en virtud de esta garantía?

- El uso y el desgaste normal.
- Los daños provocados o debidos a negligencia, los daños causados por el incumplimiento de las instrucciones de uso, instalación incorrecta o por la conexión al voltaje equivocado, los daños causados por reacciones químicas o electromecánicas, los daños causados por la oxidación, corrosión o el agua, incluidos entre otros, los daños causados por el exceso de cal en el suministro de agua y los daños causados por condiciones ambientales anómalas.
- Piezas consumibles, incluidas pilas y lámparas.
- Piezas no funcionales y decorativas que no afectan el uso normal del electrodoméstico, incluidos rasguños y posibles diferencias de color.
- Los daños accidentales causados por objetos extraños o sustancias y la limpieza o desbloqueo de los filtros, sistemas de drenaje o compartimientos para el jabón.
- Los daños a las siguientes piezas: vidrio cerámico, accesorios, cestas para loza y cubiertos, tubos de alimentación y drenaje, juntas, lámparas y tapas de lámparas, pantallas, perillas, carcasas y piezas de las carcasas. Excepto que se pudiese probar que dichos daños fueron la causa de fallas de producción.
- Casos en los que no pueda detectarse ninguna falla durante la visita del técnico.
- Las reparaciones no efectuadas por nuestros prestadores de servicios designados y/o asociados contractuales autorizados para la prestación de servicios o cuando se hubiesen utilizado piezas no originales.
- Las reparaciones causadas por instalaciones defectuosas o que no cumplan con las especificaciones.
- El uso del electrodoméstico en un entorno no doméstico, es decir, uso profesional.
- Daños durante el transporte. Si un cliente transporta el producto a su casa o a otra dirección, IKEA no es responsable por los daños que puedan ocurrir durante el transporte. Sin embargo, si IKEA entrega del producto en la dirección de envío del cliente, los daños al producto que ocurran durante este envío, estarán cubiertos por IKEA.
- El costo de efectuar la instalación inicial del electrodoméstico IKEA. Sin embargo, si un Prestador de servicios designado por IKEA o su asociado autorizado, repara o sustituye el electrodoméstico en virtud de esta garantía, el Prestador de servicios designado o su asociado autorizado para la prestación de servicios, reinstalará el electrodoméstico reparado o instalará el de reemplazo, si fuese necesario.

Cómo se aplica la legislación del país

La garantía de IKEA le proporciona derechos legales específicos y usted también puede tener otros derechos que dependen del estado o la jurisdicción. Sin embargo, estas condiciones no limitan de ninguna manera los derechos del consumidor que se describen en la legislación local.

Zona de validez

En el caso de los electrodomésticos adquiridos en Estados Unidos o Canadá, o trasladados a uno de los países mencionados, los servicios se prestarán dentro del esquema de las condiciones de la garantía que son normales en el país especificado.

Solo existe la obligación de prestar estos servicios dentro del esquema de la garantía si el electrodoméstico cumple y ha sido instalado de acuerdo con:

- las especificaciones técnicas del país en que se realiza la reclamación asociada con la garantía;
- las Instrucciones de montaje y la Información de seguridad del Manual del usuario.

El equipo dedicado de POSVENTA para los electrodomésticos IKEA

No dude en contactar al Prestador de servicios de posventa designado por IKEA para:

- realizar una solicitud de servicio en virtud de esta garantía;
- solicitar aclaraciones sobre la instalación del electrodoméstico IKEA en los muebles de cocina especiales de IKEA;
- pedir aclaraciones sobre las funciones de los electrodomésticos IKEA.

Para garantizarle nuestra mejor asistencia, lea atentamente las Instrucciones de montaje y/o el Manual del usuario antes de contactarnos.

Cómo contactarnos cuando necesite nuestro servicio

Para poder prestarle un servicio más rápido, recomendamos utilizar los números de teléfono específicos que se indican en este manual. Consulte siempre la lista de números en el folleto del electrodoméstico para el que necesita asistencia.



Número de teléfono:
(833) 337-4006

Horario de apertura:
Lunes a viernes de
8:30 am a 8:00 pm EST

Consulte siempre la referencia del artículo IKEA (el código de 8 dígitos) que aparece en la placa de valores nominales de su electrodoméstico.

¡CONSERVE EL RECIBO DE VENTA!

Este recibo es la prueba de la compra y se necesita para poder aplicar la garantía. El recibo de ventas también contiene el nombre y la referencia (el código de 8 dígitos) del artículo de IKEA de cada uno de los electrodomésticos que ha adquirido.

¿Necesita más ayuda?

Para realizar consultas adicionales no relacionadas con el proceso de Posventa de sus electrodomésticos, póngase en contacto con el Centro de llamadas de la tienda IKEA más cercana. Le recomendamos leer atentamente la documentación del electrodoméstico antes de contactarnos.

ESSENTIELL

FR



Table des matières	3	Distributeur et détergents pour lave-vaisselle	13
Consignes de sécurité importantes	4	Facteurs influant sur le rendement	14
Introduction	5	Entretien et nettoyage	15
Caractéristiques en un coup d'œil	6	Avant d'appeler	17
Mode d'emploi	6	Garantie limitée	20
Préparation de la vaisselle et Chargement de la vaisselle	10		



AVERTISSEMENT

Veillez lire toutes les instructions avant d'utiliser ce lave-vaisselle.

Pour votre sécurité

- N'utilisez votre lave-vaisselle que selon les instructions de ce Manuel de l'Utilisateur.
- Les instructions contenues dans le présent guide ne visent pas à couvrir toutes les situations qui pourraient se présenter. Faites preuve de bon sens et prenez les précautions qui s'imposent lors de l'installation, de l'utilisation et de l'entretien de tout appareil électroménager.
- Les lave-vaisselles domestiques homologués NSF ne sont pas destinés aux établissements alimentaires du commerce.
- LE CIRCUIT ÉLECTRIQUE DU LAVE-VAISSELLE DOIT ÊTRE MIS À LA TERRE. Veillez lire les instructions d'installation pour plus de détails.
- Ce lave-vaisselle est conçu pour fonctionner avec un courant résidentiel normal (120 volts, 60 hertz). Utilisez un circuit équipé d'un fusible ou d'un disjoncteur de 15 ampères. Utilisez un fusible de 20 ampères si le lave-vaisselle est connecté avec un broyeur à déchets.
- Ne faites pas fonctionner le lave-vaisselle à moins que tous les panneaux d'enceinte soient bien en place.
- Pour éviter qu'une personne puisse rester coincée et suffoquer, retirez la porte ou le mécanisme de verrouillage de porte de tout lave-vaisselle inutilisé ou mis au rebut.
- Ne laissez pas les jeunes enfants et les bébés à proximité d'un lave-vaisselle en marche.
- Ne laissez pas les enfants s'asseoir, grimper ou jouer sur la porte ou les paniers du lave-vaisselle, ni d'en faire un mauvais usage.
- N'utilisez que des détergents et agents de rinçage pour lave-vaisselle.
- Conservez le détergent à lave-vaisselle et l'agent de rinçage hors de la portée des enfants.
- Ne mettez pas les articles en plastique au lave-vaisselle à moins qu'ils ne portent la mention « va au lave-vaisselle » ou un équivalent. S'il n'y a aucune indication, vérifiez auprès du fabricant. Les articles qu'il n'est pas recommandé de mettre au lave-vaisselle risquent de fondre et de créer un risque d'incendie.
- Avant toute intervention, coupez l'alimentation électrique du lave-vaisselle.
- Si le lave-vaisselle se déverse dans un broyeur à déchets, assurez-vous que ce dernier est complètement vide avant de mettre en marche le lave-vaisselle.

- Les réparations doivent être faites par un technicien qualifié.
- Ne modifiez pas les commandes.
- Ne touchez pas l'élément chauffant pendant ou immédiatement après l'utilisation.
- Faites attention en vidant le lave-vaisselle lorsque l'option Sanitize a été sélectionnée. Le contenu peut être très chaud au toucher immédiatement après la fin du cycle.
- La vapeur d'eau s'écoulant de la conduite d'évacuation peut être très chaude au toucher lorsque l'option Sanitize a été sélectionnée. Soyez prudent et ne laissez pas les jeunes enfants toucher la zone d'évacuation du lave-vaisselle ou jouer autour.
- Lors du chargement d'articles dans le lave-vaisselle :
 - Placez les couteaux et articles pointus de façon à ce qu'ils ne risquent pas d'endommager le joint de la porte ou la cuve.
 - Placez les couteaux et articles pointus avec le manche vers le haut pour réduire le risque de coupures.
- Dans certaines conditions, il est possible qu'il se forme de l'hydrogène dans la conduite d'eau chaude si le système reste inutilisé pendant 2 semaines ou plus. L'HYDROGÈNE EST UN GAZ EXPLOSIF. Si l'alimentation en eau chaude n'a pas été utilisée pendant un tel laps de temps, ouvrez tous les robinets d'eau chaude et laissez couler l'eau pendant plusieurs minutes avant d'utiliser le lave-vaisselle. Ceci permet d'évacuer tout hydrogène qui se serait accumulé. L'HYDROGÈNE EST UN GAZ INFLAMMABLE. Ne fumez pas ou n'utilisez aucune flamme nue pendant ce temps.
- N'entreposez pas et n'utilisez pas de matériaux combustibles, vapeurs d'essence ou autres produits inflammables à proximité de cet appareil ou de tout autre électroménager.



AVERTISSEMENT

Afin de réduire le risque d'incendie, de choc électrique et de blessure lors de l'utilisation de votre lave-vaisselle, respectez les précautions de base indiquées ci-dessus.



AVERTISSEMENT

Ces symboles servent à vous avertir de dangers tels que blessures corporelles, brûlures, incendies et chocs électriques.

Nous vous remercions d'avoir choisi **IKEA**.

Ce Guide d'utilisation fait partie de notre engagement à satisfaire le client et à lui fournir un produit de qualité pendant toute la durée de vie de son nouvel appareil.

Pour nous, cet achat constitue le début d'une relation à entretenir. Pour vous assurer que nous pourrions continuer à vous servir, veuillez inscrire sur cette page les renseignements importants concernant votre produit.

Date d'achat

Numéro de modèle

Numéro de série



REMARQUE

Pourquoi les appareils écoénergétiques ont des cycles longs ? Plusieurs facteurs sont importants dans le lavage de la vaisselle. La consommation d'énergie du lave-vaisselle a été réduite en augmentant l'application de facteurs économes en énergie et en réduisant l'application des autres facteurs. C'est pour cette raison que les cycles prennent plus de temps.



REMARQUE

Le lave-vaisselle est programmé pour se souvenir de votre dernier cycle, de sorte que vous n'avez pas besoin de le reconfigurer chaque fois. Pour démarrer le lave-vaisselle avec le même cycle et les mêmes options que pour le lavage précédent, il suffit d'appuyer sur la touche START/Cancel.



REMARQUE

Les voyants de la console restent allumés une fois que la porte est fermée et que le cycle de lavage commence. Si vous préférez que les voyants s'éteignent pendant le cycle de lavage, consultez la section Voyants de la console pour des instructions.



REMARQUE

Information très importante - À lire avant d'utiliser votre lave-vaisselle !

Bruits normaux pendant le fonctionnement

Ce lave-vaisselle ne fait pas le même bruit que la plupart des lave-vaisselles – **IL EST PLUS SILENCIEUX**.

Votre lave-vaisselle à système de lavage à alimentation directe utilise des moteurs écoénergétiques pour les portions lavage et vidange du cycle que vous sélectionnez. Chaque cycle a une série de remplissages et de vidanges d'eau pour laver et rincer la vaisselle. Au début de chaque cycle, vous pourriez entendre – ou non – le bruit du moteur de drainage. Le son suivant que vous pouvez entendre est celui de l'eau qui éclabousse lorsqu'elle entre dans la cuve.

VEUILLEZ PRENDRE NOTE : Si vous comparez ce lave-vaisselle aux modèles précédents, vous pourriez être surpris de ce que vous N'ENTENDEZ PAS.

Pour commencer

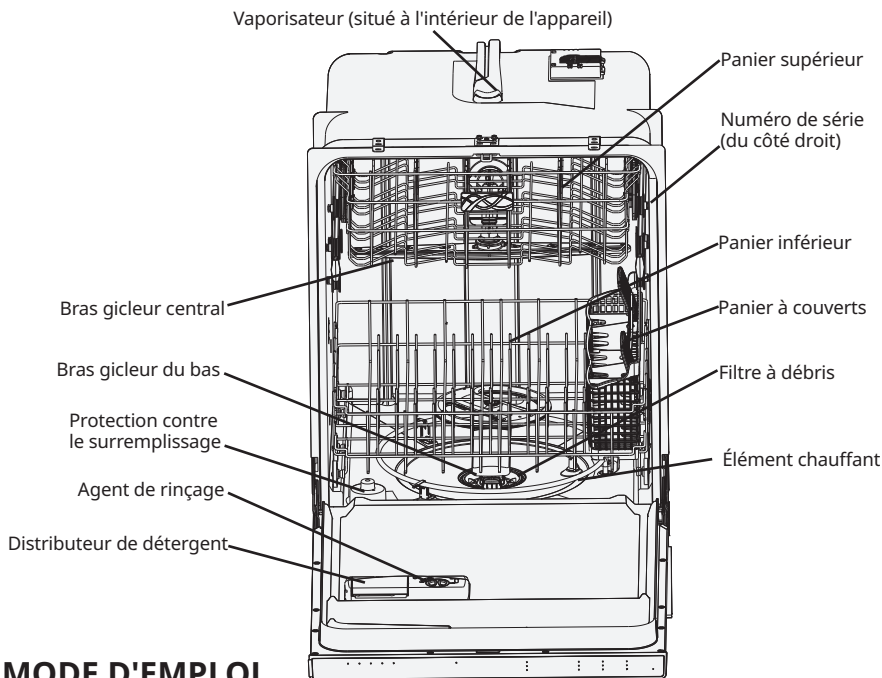
1. Chargez le lave-vaisselle (voir Préparation de la vaisselle et Chargement de la vaisselle).
2. Ajoutez du détergent (voir Distributeur et détergents pour lave-vaisselle).
3. Ajoutez de l'agent de rinçage au besoin (voir Agent de rinçage).
4. Sélectionnez le Cycle voulu (voir Tableau des cycles). *Le voyant de chaque sélection s'allume.*
5. Sélectionnez une Option (voir Options énergétiques). *Le voyant de chaque sélection s'allume.*
6. Faites couler le robinet d'eau chaude le plus proche du lave-vaisselle jusqu'à ce que l'eau atteigne les environs de 49 °C ou 120 °F pour obtenir un rendement optimal (voir Température de l'eau). Fermez le robinet d'eau.
7. Pour démarrer, appuyez sur la touche START/Cancel.
8. Fermez la porte pour l'enclencher.



REMARQUE

Si vous ouvrez la porte du lave-vaisselle pendant que l'appareil est en marche, pour retourner au cycle et à l'option sélectionnés, vous devez appuyer de nouveau sur la touche START/Cancel et vous devez refermer immédiatement la porte. Cela doit se faire en 10 minutes maximum pour que l'appareil puisse poursuivre le cycle.

Votre lave-vaisselle nettoie la vaisselle et les ustensiles en faisant gicler un mélange d'eau chaude et de détergent contre les surfaces souillées au moyen des bras gicleurs. En premier lieu, le lave-vaisselle se remplit d'eau jusqu'à recouvrir la zone du filtre. L'eau est ensuite pompée à travers les bras gicleurs. L'eau sale chargée de particules solides est pompée par le tuyau d'écoulement et remplacée par de l'eau propre. Cette série d'étapes est répétée le nombre de fois nécessaire. Le nombre de remplissages d'eau dépend du cycle sélectionné.



MODE D'EMPLOI

Choix de cycle de lavage

La durée des cycles est approximative et varie selon les options choisies. De l'eau très chaude est nécessaire pour activer le détergent et faire fondre la saleté de la nourriture grasse. Un capteur vérifie la température de l'eau d'admission ; si elle est trop basse, le cycle est allongé pour permettre de chauffer l'eau pendant le lavage principal et le rinçage final de tous les cycles. Cela se produit même lorsque l'option High Wash Temp n'est pas sélectionnée. Lorsque l'option High Wash Temp est sélectionnée, une température encore plus élevée doit être atteinte pour laver la vaisselle très sale.



REMARQUE

Les voyants de la console restent allumés une fois que la porte est fermée et que le cycle de lavage commence. Si vous préférez que les voyants s'éteignent pendant le cycle de lavage, consultez la section Voyants de la console pour des instructions.

Choix d'options (disponible sur certains modèles)

Option de lavage haute température

Lorsque l'option High Wash Temp est sélectionnée, le lave-vaisselle chauffe l'eau du lavage principal à 140 °F (60 °C). °F (60 °C).

Cette augmentation de la température de l'eau aide le détergent à déloger la graisse et les restes de nourriture plus efficacement et permet un meilleur séchage de la vaisselle. L'option High Wash Temp est disponible avec les cycles Heavy Wash, et Normal Wash. L'option High Wash Temp (température élevée) est automatiquement sélectionnée avec le cycle de lavage Heavy Wash.

Lorsque l'option High Wash Temp est sélectionnée, le voyant s'allume et reste allumé jusqu'à la fin du cycle. Pour désactiver l'option High Wash Temp, appuyez sur High Wash Temp une deuxième fois. Le voyant s'éteint.

Heat Dry/Air Dry (séchage à la chaleur/à l'air)

L'utilisation de l'option de Heat Dry (séchage à la chaleur), en particulier en combinaison avec l'utilisation d'un agent de rinçage, améliore le séchage. Si l'option Air Dry (séchage à l'air) est sélectionnée, le chauffage est désactivé pendant la phase de séchage du cycle de lavage choisi. Ceci a pour effet de diminuer un peu la consommation d'énergie mais augmente aussi le risque que la vaisselle ne soit pas complètement sèche.

Max Dry

Lorsque l'option Max Dry est sélectionnée, le lave-vaisselle augmente le temps de séchage d'environ 20 minutes. L'option Max Dry peut être utilisée avec tous les cycles sauf Energy Saver et Rinse Only. Pour le meilleur séchage possible, choisissez aussi d'augmenter la température de lavage en sélectionnant High Wash Temp ou encore mieux, l'option Sanitize.

L'énergie requise pour l'utilisation de l'option Max Dry coûte quelques sous par cycle. Vous pouvez choisir de ne pas utiliser l'option Max Dry. Cependant, certains articles pourraient ne pas être complètement secs à la fin du cycle.

Option de désinfection

Pour désinfecter la vaisselle et la verrerie, sélectionnez l'option Sanitize. Lorsque cette option est sélectionnée, le voyant s'allume et reste allumé jusqu'à la fin du cycle. La température de l'eau du rinçage final est élevée à 156 °F (69 °C). Cette option est disponible avec les cycles Heavy Wash et Normal Wash. Seuls ces cycles de désinfection ont été conçus pour répondre aux exigences NSF.

La durée du cycle est prolongée jusqu'à ce que la température d'eau correcte soit atteinte. L'action de lavage se poursuit pendant le délai de chauffage de l'eau. Pour de meilleurs résultats, la température de l'eau d'admission doit être d'au moins 120 °F (49 °C).

Les critères de désinfection peuvent ne pas être satisfaits en cas d'interruption du cycle, d'une panne de courant ou si la température de l'eau d'admission est inférieure à 120 °F (49 °C).

Pour désactiver l'option Sanitize, appuyez de nouveau sur Sanitize. Le voyant s'éteint.

Démarrage différé

L'option Delay Time vous permet de différer automatiquement le démarrage de votre lave-vaisselle de 2, 4, ou 6 heures.

Pour démarrer l'option Delay Time, appuyez sur Delay Time jusqu'à ce que le délai voulu s'affiche dans la fenêtre Status. Un voyant s'allume pour indiquer que le délai a été fixé. Le voyant reste allumé jusqu'à ce que le cycle commence. Appuyez sur la touche START/Cancel pour démarrer l'option de délai. Si l'option de délai est interrompue, vous devez appuyer de nouveau sur START/Cancel pour revenir à l'option de délai.

Pour annuler l'option Delay Time (démarrage différé) et **commencer le cycle avant la fin du délai**, appuyez sur la touche START/Cancel **pendant 3 secondes**.

Pour annuler un cycle

Vous pouvez annuler un cycle en tout temps pendant le cycle. Appuyez sur la touche START/Cancel pendant 3 secondes. Le voyant au-dessus du cycle et de l'option sélectionnée s'éteint tandis que le voyant de la touche START/Cancel reste allumé. Le lave-vaisselle se vide alors pendant 90 secondes. À la fin de la vidange, vous pouvez sélectionner le cycle voulu suivant.

Verrouillage des commandes

Verrouillez les commandes du lave-vaisselle en appuyant sur le bouton Control Lock et en le maintenant enfoncé jusqu'à ce que le voyant de verrouillage s'allume pour empêcher les enfants de mettre le lave-vaisselle en marche ou de modifier accidentellement le cycle de lavage. Pour déverrouiller les commandes, appuyez sur les boutons de Control Lock jusqu'à ce que le voyant de verrouillage s'éteigne.

Voyants lumineux d'état

Les voyants de la console fournissent des renseignements sur le cycle choisi et sur l'état courant. Pendant le fonctionnement, lorsque la porte est fermée, ces voyants restent allumés.

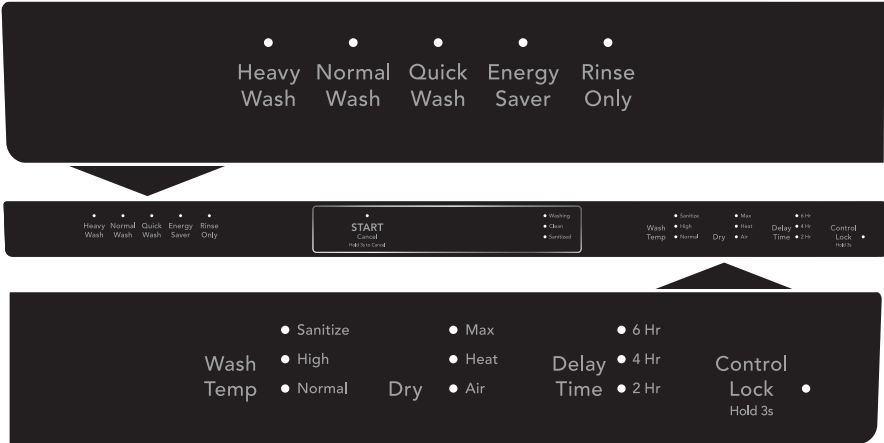
À la fin du cycle, le voyant indiquant que la vaisselle est propre s'allume. Le voyant de désinfection s'allume aussi si cette option a été choisie et si la désinfection a été effectuée au cours du cycle de lavage.

Dans le cas peu probable où le lave-vaisselle subirait une défaillance, afficherait le code d'erreur « Uo » ou fonctionnerait mal, vous pouvez appeler le service à la clientèle d'IKEA au 1 800 944-9044. **(833) 337-4006**. Quelqu'un sera en mesure de vous aider dans la résolution du problème ou dans la recherche d'un technicien en entretien et réparation autorisé, si nécessaire.

Voyants de la console

Si vous préférez que les voyants de la console restent éteints pendant le lavage, procédez comme suit : Avant de commencer un cycle, appuyez simultanément sur Heavy Wash et Rinse Only pendant environ 8 secondes jusqu'à ce que les voyants correspondants clignotent. Cela éteint les voyants de la console pendant le cycle de lavage. Il suffit de répéter cette opération pour revenir au réglage précédent.

Disposition



La Lave-vaisselle vérifie le degré de saleté de la vaisselle pour les cycles Heavy Wash, Normal Wash, et Energy Saver. Des ajustements sont faits en cours de cycle pour s'assurer que la vaisselle est bien lavée - lorsqu'il y a moins de nourriture, le cycle est plus court. La durée de cycle varie également en fonction des options sélectionnées et de la température de l'eau entrante. **Les cycles disponibles ne sont pas les mêmes sur tous les modèles.**

Tableau des cycles et options

Cycle	Paramètres	Eau (approx.)	Durée *(heures)
Heavy Wash* Pour les marmites, les casseroles et la vaisselle sur lesquels les résidus d'aliments ont brûlé ou séché, et pour les ustensiles	Température: Sanitize, High Séchage: Max Dry, Heat, Air	7,1 - 9,4 gal. 28 - 36 litres	2 ³ / ₄ - 4
Normal Wash* Pour la vaisselle et les ustensiles sales.	Température: Sanitize, High, Normal Séchage: Max Dry, Heat, Air	3,2 - 9,2 gal. 12 - 35 litres	1 ³ / ₄ - 4
Quick Wash Lavage rapide pour la vaisselle et les ustensiles légèrement souillés	Température: Normal Séchage: Max Dry, Heat, Air	5,4 gal US 20 litres	34 min. (Séchage à l'air uniquement)
Energy Saver* Pour la vaisselle et les ustensiles pré-rincés et peu souillés	Température: Normal Séchage: Air	4,8 - 5,8 gal US 18 - 22 litres	1 ¹ / ₂ - 2
Rinse Only Pour rincer la vaisselle qui sera lavée plus tard.	Aucune	2,5 gal. 9 litres	¹ / ₄ (Séchage à l'air uniquement)

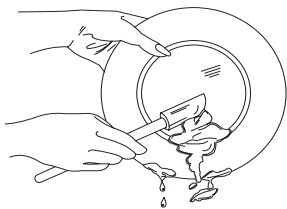
* Cycle utilisant la détection de saleté pour déterminer le meilleur lavage.

Préparation de la vaisselle

Raclez les gros morceaux de nourriture, les os, les noyaux, les cure-dents, etc. Le système de lavage à filtration continue se charge d'enlever les particules de nourriture qui restent. Il faut décoller les aliments brûlés avant de mettre la vaisselle au lave-vaisselle. Videz le liquide des verres et des tasses.

Les aliments tels que la moutarde, la mayonnaise, le vinaigre, le jus de citron et les produits à base de tomate risquent d'altérer la couleur de l'acier inoxydable et des plastiques s'ils sont laissés sur la vaisselle longtemps. Si vous ne prévoyez pas utiliser le lave-vaisselle immédiatement, il est préférable d'effectuer un pré-rinçage ou d'utiliser le cycle de rinçage pour éliminer la saleté alimentaire.

- Chargez les paniers de manière à ce que les gros articles n'empêchent pas le distributeur de détergent de s'ouvrir.
- Vérifiez les recommandations du fabricant avant de laver de tels articles.
- Si le lave-vaisselle se vide dans un broyeur à déchets, **assurez-vous que celui-ci est complètement vide avant de démarrer le lave-vaisselle.**



Chargement du panier supérieur

Les caractéristiques et l'apparence des paniers et du panier à couverts telles qu'illustrées peuvent être différentes de celles de votre modèle.

Le panier supérieur vous permet de charger de nombreux articles différents : tasses, verres, coupes, petites assiettes, bols, etc.

Placez les verres uniquement dans le panier supérieur. Ils peuvent se briser s'ils sont placés dans le panier inférieur.

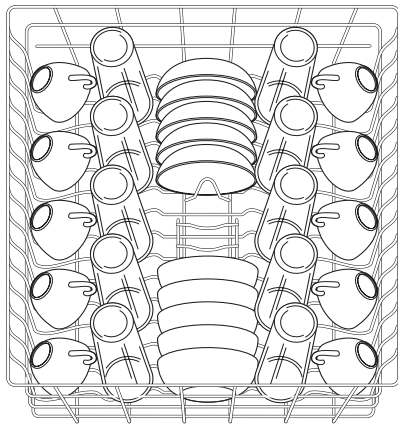
Les articles en plastique doivent être placés uniquement dans le panier supérieur. Ils peuvent fondre s'ils sont placés dans le panier inférieur.

Placez les articles à face ouverte vers le bas pour un meilleur nettoyage et une meilleure évacuation.

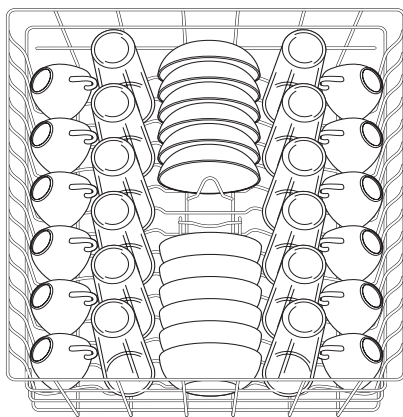
Si des articles fragiles se touchent pendant le fonctionnement du lave-vaisselle, ils peuvent se briser.

Les couteaux et ustensiles à long manche peuvent être placés dans le panier supérieur.

Assurez-vous que rien ne dépasse à travers le fond du panier. Cela bloquerait la rotation du bras gicleur central.



Chargement standard pour 10 couverts



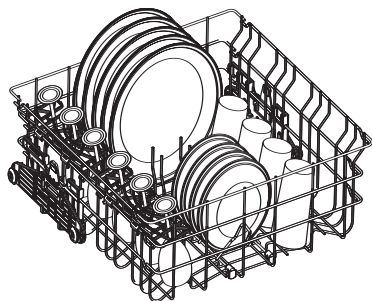
Chargement standard pour 12 couverts

Certains modèles sont dotés d'un panier à tasses rabattable ou d'un panier à tasses/support de verres à pied. Ils peuvent servir à charger deux niveaux de tasses, de verres à jus de fruit ou d'autres articles de petite taille. Décalez les articles sur le niveau supérieur de façon à ce que l'eau puisse atteindre toutes les surfaces internes. Repliez pour charger les verres de grande taille.

Panier supérieur

L'option Upper Rack dirige le jet de lavage vers le panier supérieur seulement et peut être utilisé pour laver un vaste éventail d'articles. C'est utile pour les charges partielles – surtout quand le panier supérieur est plein de verres et que le panier inférieur est encore vide.

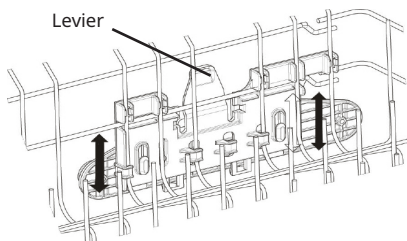
L'option STEMWARE HOLDER/CUPSHELF n'est pas disponible sur tous les modèles.



Panier supérieur réglable

Pour relever le panier supérieur, voyez la figure ci-dessous.

Appuyez sur le levier vers le centre du panier et poussez-le vers le haut en ligne droite.



Pour abaisser le panier supérieur, appuyez sur le levier et poussez le panier vers le bas.

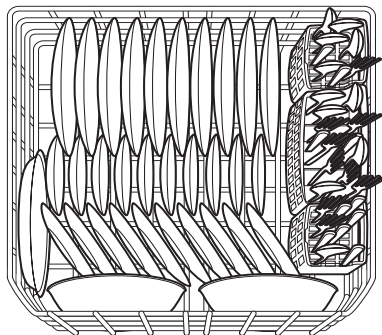
Chargement du panier inférieur

Les caractéristiques et l'apparence des paniers et du panier à couverts telles qu'illustrées peuvent être différentes de celles de votre modèle.

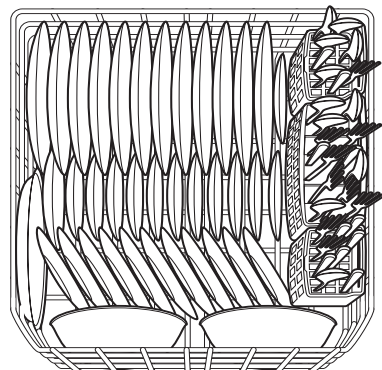
Le panier inférieur est destiné aux assiettes, soucoupes, bols et articles de cuisson. Les gros articles doivent être placés le long du bord afin de ne pas entraver la rotation du bras gicleur. Pour de meilleurs résultats, placez les bols, les casseroles, et les poêlons avec la surface souillée vers le bas et vers le centre. Inclinez légèrement les articles pour un meilleur écoulement de l'eau.

Faites tourner le bras gicleur central pour vérifier qu'il n'y a pas d'article de grande taille qui bloque la rotation.

Assurez-vous que les manches des poêles ne dépassent pas à travers le fond du panier pour éviter de bloquer la rotation du bras gicleur inférieur.



Chargement standard pour 10 couverts



Chargement standard pour 12 couverts

Chargement du panier à ustensiles



PRUDENCE

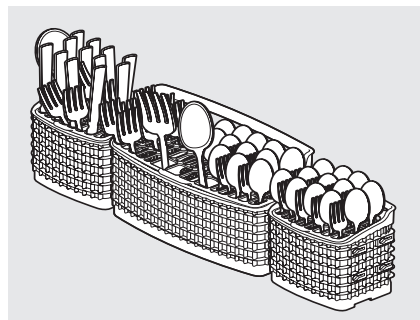
Placez les articles pointus (couteaux, brochettes, etc.) avec la pointe vers le bas.

Sinon, quelqu'un pourrait être blessé.

Les caractéristiques et l'apparence illustrées des paniers et du panier à ustensiles peuvent varier de celles de votre modèle.

Remplissez le panier à ustensiles alors que celui-ci se trouve dans le panier inférieur, ou posez-le sur une table ou sur une surface de travail pour le remplir.

Les petits objets comme les capuchons de biberons, les couvercles de bocaux, les porte-épis de maïs, etc. peuvent être placés dans un panier avec couvercle pour être maintenus en place.

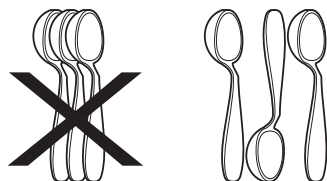


Utilisez les modèles de chargement, comme indiqué, pour assurer un bon lavage des ustensiles.

Assurez-vous que rien ne dépasse à travers le fond du panier, car cela bloquerait la rotation du bras gicleur central.

Ne mélangez pas les ustensiles en argent avec ceux en acier inoxydable pour éviter d'endommager l'argenterie.

Quand les couvercles sont relevés, mélangez les articles de chaque section du panier, en dirigeant certains vers le haut et d'autres vers le bas pour éviter de les superposer. Les jets d'eau ne peuvent pas atteindre certains articles superposés.



Ajout de vaisselle

Pour ajouter ou retirer des articles après le début du cycle de lavage :

- Désenclenchez la porte et attendez quelques secondes que le lavage s'arrête avant de l'ouvrir.
- Ajoutez l'article, mettez la porte en position quasi-fermée et attendez quelques secondes tandis que l'air froid pénètre lentement à l'intérieur du lave-vaisselle.
- Appuyez sur la touche START/CANCEL puis fermez fermement la porte dans les 4 secondes pour reprendre le cycle.



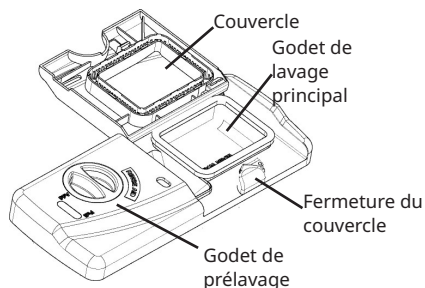
AVERTISSEMENT

Ouvrez la porte très lentement et soigneusement si le lave-vaisselle fonctionne. Il y a un risque d'injection d'eau chaude.

Remplissage du distributeur de détergent

Le distributeur de détergent comporte deux godets. Le plus petit sert à l'ajout au prélavage tandis que le plus grand est pour le lavage principal.

- Utilisez uniquement du détergent pour lave-vaisselle automatique frais. D'autres types de détergent peuvent provoquer la formation excessive de mousse.
- Si vous utilisez des pastilles ou sachets de détergent pour lave-vaisselle, placez-en simplement un dans le godet de lavage principal et fermez-le.
- Ajoutez le détergent juste avant le début du cycle.
- Conservez le détergent dans un endroit frais et sec et jetez tout détergent qui devient humide ou durci.



Si le couvercle du godet de lavage principal est fermé, vous pouvez l'ouvrir en appuyant sur le loquet du couvercle.

Quantité de détergent à utiliser

La quantité de détergent à utiliser dépend de la dureté de l'eau. La dureté de l'eau se mesure en grains par gallon US. Utiliser trop peu de détergent peut entraîner un mauvais lavage et l'eau dure peut laisser un film ou des taches sur la vaisselle. Utiliser trop de détergent dans l'eau douce peut provoquer des rayures sur certains objets en verre et laisser un film impossible à éliminer. L'organisme responsable de la distribution de l'eau, l'entreprise locale d'adoucisseur d'eau ou les services publics de la municipalité peuvent vous informer sur la dureté de l'eau de votre région.



PRUDENCE

L'utilisation d'un détergent de qualité industrielle peut endommager la bobine chauffante et d'autres pièces du lave-vaisselle, ce qui causerait des dommages au lave-vaisselle et à la zone environnante. N'utilisez que des détergents pour lave-vaisselle domestiques.

Tableau d'utilisation de détergent

Cycle	Eau douce (0-3 grains)	Eau moyennement dure (4-8 grains)	Eau dure (9-12 grains)	Eau très dure* (plus de 12 grains)
Heavy Wash ou Normal Wash	2 cuillerées à thé (chaque godet-rempli au 1/4)	5 cuillerées à thé (chaque godet-rempli jusqu'au repère au-dessus de "Regular")	8 cuillerées à thé (chaque godet-entièrement rempli)	Chaque godet-entièrement rempli (adoucisseur d'eau recommandé)
Quick Wash, ou Energy Saver	2 cuillerées à thé (godet de lavage principal-rempli au 1/4)	5 cuillerées à thé (godet de lavage principal-rempli jusqu'au repère au-dessus de "Regular")	8 cuillerées à thé (godet de lavage principal-entièrement rempli)	Chaque godet-entièrement rempli (adoucisseur d'eau recommandé)
Rinse Only	Pas de détergent	Pas de détergent	Pas de détergent	Pas de détergent (adoucisseur d'eau recommandé)

En règle générale, il faut utiliser une cuillère à thé pour chaque grain au-dessus de 12. Pour une eau très dure, le détergent seul peut ne pas suffire et un adoucisseur d'eau est recommandé pour améliorer la qualité de l'eau et le lavage. Toutefois, lorsque vous utilisez des pastilles ou sachets de détergent pour lave-vaisselle, placez-en simplement un dans le godet de lavage principal.

Agent de rinçage

Les produits de rinçage améliorent le séchage et réduisent les taches d'eau. L'eau glisse sur la vaisselle sans former de gouttelettes qui s'accrochent et laissent des taches.

Lors du dernier rinçage, un distributeur situé à côté du godet de détergent libère automatiquement une quantité préétablie d'agent de rinçage. En cas de problème de taches et de mauvais séchage, augmentez la quantité d'agent de rinçage en tournant le sélecteur à un chiffre plus élevé. Le sélecteur se trouve sous le couvercle du distributeur. Le voyant est sombre quand il est plein et devient clair quand il est temps de remplir le contenant.

Pour ajouter du liquide de rinçage, tournez le bouchon de distribution d'un 1/4 de tour dans le sens antihoraire et retirez-le. Versez de l'agent de rinçage jusqu'à ce que le liquide atteigne le niveau de remplissage indiqué. Remettez le bouchon en place.

Ne dépassez pas le niveau de remplissage, car cela provoquerait la formation excessive de mousse. Essayez tout renversement avec un linge humide.

Le distributeur peut contenir assez de liquide pour 35 à 140 lavages, selon le réglage de la molette.

Pression d'eau

La conduite d'eau chaude au lave-vaisselle doit fournir une pression d'eau se situant entre 138 et 827 kPa (20 et 120 psi).

La pression d'eau peut être basse pendant l'utilisation d'une machine à laver ou d'une douche. Si cela se produit, attendez une réduction de l'utilisation d'eau avant de démarrer le lave-vaisselle.

Température de l'eau

De l'eau très chaude est nécessaire pour obtenir les meilleurs résultats de lavage et de séchage. La température de l'eau entrant dans le lave-vaisselle doit être à au moins 49 °C (120 °F) pour donner des résultats satisfaisants.

Pour vérifier la température de l'eau arrivant dans le lave-vaisselle :

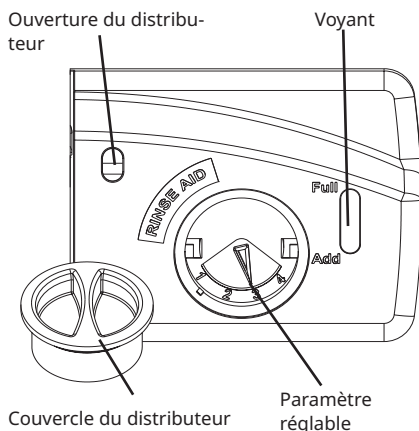
- Ouvrez le robinet d'eau chaude le plus proche du lave-vaisselle pendant quelques minutes pour éliminer l'eau froide des tuyaux.
- Tenez un thermomètre à bonbon ou à viande sous l'eau pour vérifier la température.
- Si la température est inférieure à 49 °C (120 °F), faites augmenter le réglage du thermostat du chauffe-eau par une personne qualifiée.

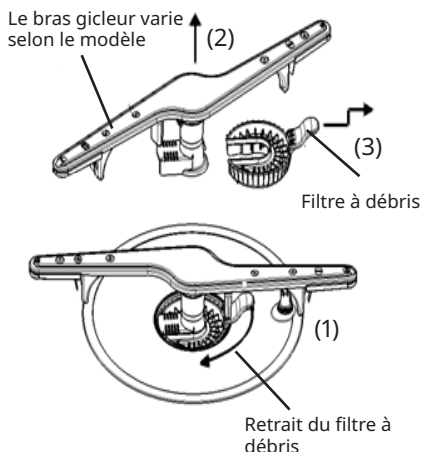


IMPORTANT

Avant de démarrer un cycle, faites couler l'eau chaude pour éliminer l'eau froide du tuyau.

L'utilisation de l'option Heat Dry, en conjonction avec un agent de rinçage, améliore le séchage. L'énergie requise pour l'utilisation de l'option Heat Dry coûte quelques sous par cycle. Vous pouvez choisir de ne pas utiliser l'option Heat Dry. Dans ce cas, certains articles pourraient ne pas être complètement secs à la fin du cycle.





Pour vider le filtre à débris :

1. Saisissez la poignée du filtre à débris et tournez-la de 90 degrés en sens horaire tout en appuyant sur le centre du bras gicleur.
2. Saisissez le bras gicleur dans le centre et soulevez l'ensemble bras gicleur et filtre à débris vers le haut et vers l'extérieur du lave-vaisselle.
3. Inclinez l'ensemble au dessus d'un contenant approprié et tapez-le pour vider le filtre à débris. OU séparez le filtre à débris - tirez la poignée du filtre à débris vers vous, puis vers le haut, puis encore plus vers vous pour le glisser hors du reste de l'ensemble. Videz-le dans un contenant approprié, puis glissez le filtre à débris dans l'ensemble.
4. Remettez l'ensemble en place, appuyez sur le bras au centre et tournez la poignée du filtre à débris de 90° en sens antihoraire en vous assurant que le filtre à débris se retrouve dans le même sens que sur l'image ci-dessus.
Pour éviter des dommages à votre appareil, assurez-vous que le bras gicleur et le filtre à débris sont bien verrouillés en place.



AVERTISSEMENT



Risque de brûlure

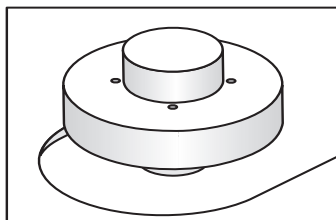
Laissez l'élément chauffant refroidir avant de nettoyer l'intérieur. Sinon, vous pourriez subir des brûlures.

Extérieur de la porte - Nettoyez l'extérieur de la porte à l'eau chaude savonneuse et un linge à vaisselle ou une éponge. Rincez avec de l'eau propre et un linge sec. N'utilisez pas de nettoyeurs forts

Intérieur - Lors de l'utilisation normale, l'intérieur du lave-vaisselle, y compris le filtre, est auto-nettoyant. Au besoin, nettoyez autour de la zone du joint de la cuve avec un linge humide. Le filtre est auto-nettoyant. Un filtre à débris situé dans le centre du filtre sert à recueillir les morceaux de verre brisé, de paille, d'os et de noyaux.

Protection contre le surremplissage - empêche le lave-vaisselle de trop se remplir ; elle se trouve dans le coin avant gauche de la cuve.

- Pour dissoudre toute accumulation calcaire, nettoyez le lave-vaisselle de temps à autre avec un nettoyeur domestique au vinaigre ou un javellisant.
- La protection contre le surremplissage doit pouvoir se déplacer aisément de 2-3 cm (un pouce) vers le haut et vers le bas. Si elle ne se déplace aisément, levez-la et nettoyez-en-dessous.



REMARQUE

L'eau dure peut causer une accumulation de dépôts calcaires à l'intérieur du lave-vaisselle. Pour des directives de nettoyage, consultez la section « Élimination des taches et des films ».

Entretien de l'aérateur du tuyau de vidange

Si un aérateur de vidange est installé pour votre lave-vaisselle encastré, assurez-vous qu'il est propre de manière à ce que le lave-vaisselle puisse se vider correctement. Un aérateur de vidange est habituellement monté sur le comptoir et peut être inspecté en enlevant le couvercle. Ceci ne fait pas partie de votre lave-vaisselle et n'est pas couvert par la garantie.



PRUDENCE

Risques de dommages matériels

Le gel peut faire éclater les conduites d'eau. Assurez-vous que toutes les conduites d'alimentation menant au lave-vaisselle et dans le lave-vaisselle sont protégées contre le gel.

Tout manquement à cette obligation peut entraîner des dommages matériels.



REMARQUE

Consultez les Instructions d'installation pour plus de détails sur le débranchement du lave-vaisselle et sur sa remise en service.

Hivernage

Un lave-vaisselle laissé à un endroit non chauffé doit être protégé du gel. Adressez-vous à une personne qualifiée pour faire effectuer ce qui suit :

Pour couper le service :

1. Coupez l'alimentation électrique du lave-vaisselle à la source en retirant le fusible ou en actionnant le disjoncteur.
2. Coupez l'alimentation en eau.
3. Placez un récipient sous le robinet d'arrivée d'eau. Débranchez la conduite d'eau du robinet d'arrivée d'eau et vidangez dans le récipient.
4. Débranchez le tuyau de vidange de la pompe et vidangez l'eau dans le récipient.

Pour rétablir le service :

1. Laissez l'eau de vidange s'écouler dans un récipient et ouvrez le robinet pour rincer à fond la conduite.
2. Rebranchez l'eau, le tuyau de vidange et le courant électrique.
3. Ouvrez l'eau et allumez le courant électrique.
4. Remplissez les deux godets de détergent et faites fonctionner le lave-vaisselle en employant le cycle Heavy Wash.
5. Vérifiez les raccords pour vous assurer qu'ils sont exempts de fuites.

Avant d'appeler pour une réparation, consultez cette liste. Cela peut vous faire économiser temps et argent. Cette liste présente des situations courantes qui ne découlent pas d'un défaut de matériau ou de fabrication du lave-vaisselle.

Restes de nourriture sur la vaisselle

- Choisissez un autre cycle avec un durée de lavage plus longue.
- Assurez-vous que le chargement du panier est adéquat – évitez de superposer les articles.
- La pression d'eau du domicile peut être trop basse. Elle devrait être entre 138 et 827 kPa (20 et 120 psi).
- Vérifiez la température de l'entrée d'eau. Elle devrait être d'environ 49 °C (120 °F). (Voir Facteurs influant sur le rendement.)
- Vérifiez la dureté de l'eau. Pour l'eau extrêmement dure, il peut être nécessaire d'installer un adoucisseur d'eau. (Voir Tableau de détergent.)
- Utilisez du détergent frais.
- Assurez-vous qu'il n'y a pas de vaisselle qui bloque les bras gicleurs et les empêche de tourner.
- Ne surchargez pas le lave-vaisselle (voir Préparation de la vaisselle et Chargement de la vaisselle).
- Assurez-vous que le filtre à débris est bien entretenu et installé correctement (voir Entretien et nettoyage).

Vaisselle pas sèche

- Sélectionnez l'option chauffage ou Max DRY.
- Assurez-vous que le distributeur d'agent de rinçage est rempli.
- Augmentez la quantité d'agent de rinçage distribuée. (Voir Agent de rinçage.)
- Vérifiez la température de l'entrée d'eau. Assurez-vous qu'elle est d'au moins 49 °C (120 °F).
- Assurez-vous que le chargement est adéquat – évitez de superposer les articles.
- Les tasses avec un fond concave recueillent de l'eau. Chargez-les complètement à gauche et à droite du panier supérieur de façon à ce qu'elles soient maintenues en position inclinée.

- Les contenants, bols, chaudrons et poêles, de même que les surfaces concaves pouvant accumuler de l'eau, devraient être placés dans le panier face vers la bas ou inclinés vers le bas pour que l'eau puisse être drainée même à partir du point le plus bas.
- Les articles en plastique peuvent avoir besoin d'être séchés avec un linge à vaisselle.

Verrerie ou coutellerie tachetée ou voilée

- Vérifiez la dureté de l'eau. Pour l'eau extrêmement dure, il peut être nécessaire d'installer un adoucisseur d'eau. (Voir Tableau de détergent.)
- La température de l'eau peut être basse. Évitez les températures extrêmement basses ou élevées. (Voir Facteurs influant sur le rendement.)
- Évitez de surcharger ou de mal charger l'appareil. (Voir Préparation de la vaisselle et Chargement de la vaisselle)
- Utilisez du détergent frais. Le détergent périmé est inefficace.
- Assurez-vous que le distributeur d'agent de rinçage est rempli.
- Assurez-vous d'utiliser la bonne quantité de détergent pour le cycle sélectionné. (Voir Distributeur de détergent.)
- La pression d'eau du domicile peut être trop basse. Elle devrait être 138 et 827 kPa (20 et 120 psi).

Vaisselle ébréchée

- Chargez soigneusement le lave-vaisselle et ne le surchargez pas. (Voir Préparation de la vaisselle et Chargement de la vaisselle)
- Placez les articles délicats dans le panier supérieur.
- Placez solidement les verres contre les broches et non par-dessus les broches.
- Chargez les articles solidement, de façon à ce qu'ils ne bougent pas lorsque vous tirez et poussez les paniers. Poussez et tirez les paniers lentement.
- Assurez-vous que les grands verres et les verres à pied ne touchent pas au haut de la cuve lorsque le panier est poussé à l'intérieur.
- La porcelaine fine antique et le cristal devraient être lavés à la main.

Vapeur à l'évacuation

- Si l'agent de rinçage se renverse, cela peut produire de la mousse et mener à un débordement. Essayez tout renversement avec un linge humide.

Vaisselle tachée ou dont la couleur est altérée

- Le thé et le café peuvent tacher les tasses. Pour enlever les taches, lavez les tasses à la main dans une solution de 1/2 tasse (120 ml) d'eau de Javel et une pinte US (1 litre) d'eau chaude. Rincez à fond.
- Les dépôts de fer dans l'eau peuvent donner lieu à un film jaune ou brun. Un filtre spécial installé dans la conduite d'alimentation d'eau peut corriger ce problème. (Voir Élimination des taches et pellicules.)
- Les ustensiles en aluminium peuvent laisser des marques grises/noires lorsqu'ils se frottent contre d'autres articles. Chargez correctement le lave-vaisselle.
- Certains aliments très acides peuvent altérer la couleur de l'acier inoxydable et des plastiques s'ils sont laissés longtemps sur la vaisselle. Utilisez le cycle Rinse Only ou rincez à la main si vous ne faites pas fonctionner le lave-vaisselle immédiatement.
- Le fait de mélanger des ustensiles en acier inoxydable et en argent dans le panier à ustensiles peut entraîner la corrosion par piqûres des lames en acier inoxydable. Évitez de placer ensemble l'argent et l'acier inoxydable.

Eau au fond de la cuve

- Il n'est pas normal qu'il y ait de l'eau au fond de la cuve après la fin du cycle. S'il reste de l'eau dans le fond de la cuve, il est possible que le lave-vaisselle ne se vide pas correctement. (Voir Le lave-vaisselle ne se vide pas correctement.)

Le cycle prend beaucoup de temps

- Le cycle peut avoir été allongé automatiquement pour atteindre des températures clés à cause de certains facteurs tels que l'alimentation en eau ou une grande quantité de vaisselle.
- L'option de démarrage différé peut avoir été sélectionnée.
- Choisissez des options de température plus basse pour raccourcir le cycle.
- Les cycles qui détectent la saleté s'ajustent automatiquement pour assurer un bon lavage – plus il y a de saleté, plus le cycle est long.

Attaque chimique

- L'utilisation de trop de détergent dans de l'eau douce peut entraîner la formation de ce qui ressemble à un film mais ne peut pas être enlevé.
- Ajustez la quantité de détergent selon la dureté de l'eau. (Voir Tableau de détergent.)
- Abaissez la température de l'eau en sélectionnant l'une des options de température plus basse.

Il reste du détergent dans les godets

- Le détergent peut être vieux. Jetez-le et utilisez du détergent frais
- Assurez-vous qu'il n'y a pas de vaisselle qui empêche le jet de pénétrer dans le compartiment à détergent.
- Vérifiez si le cycle est terminé.
- Assurez-vous qu'il n'y a pas de vaisselle qui bloque le distributeur de détergent et l'empêche d'ouvrir.

Le lave-vaisselle fuit

- Assurez-vous que le joint d'étanchéité de la porte est bien enfoncé dans sa rainure de montage, qu'il se rend jusqu'au fond de la cuve et qu'il ne va pas au-delà de la nervure d'extrémité en entravant la fermeture de la porte.
- Si l'agent de rinçage se renverse, cela peut produire de la mousse et mener à un débordement. Essayez tout renversement avec un linge humide.
- Vérifiez si le lave-vaisselle est de niveau. (Voir ≈ Instructions d'installation.)
- Évitez l'excès de mousse en utilisant la bonne quantité de détergent pour lave-vaisselle automatique.
- Vérifiez si le lave-vaisselle est de niveau. (Voir Instructions d'installation.)

Bruits normaux que vous entendrez

- Les bruits normaux comprennent notamment le remplissage d'eau, les jets d'eau, le drainage et les bruits de moteur.
- Il y a un changement perceptible du bruit lorsque l'opération de lavage se déplace entre le bras gicleur inférieur et celui du centre. Cela est normal puisque chaque bras gicleur a son propre bruit.
- Il est normal que le lave-vaisselle s'arrête (et ne fasse aucun bruit) lorsque l'opération de lavage se déplace entre le bras gicleur inférieur et celui du centre.

Le lave-vaisselle ne fonctionne pas

- Vérifiez si le disjoncteur s'est déclenché ou si un fusible a sauté.
- Vérifiez que l'alimentation en eau n'est pas coupée.
- Vérifiez si le cycle est correctement réglé. (Voir Mode d'emploi.)
- Le lave-vaisselle est-il réglé avec l'option de démarrage différé ?
- N'oubliez pas d'appuyer sur la touche START/Cancel après avoir choisi le cycle de lavage.
- Prenez soin de fermer et d'enclencher la porte immédiatement après avoir appuyé sur la touche START/Cancel.

Le lave-vaisselle ne se remplit pas

- Vérifiez que l'alimentation en eau n'est pas coupée.
- Vérifiez que la protection contre le surremplissage se déplace librement vers le haut et vers le bas. (Voir la section Protection contre le surremplissage.)

Le lave-vaisselle ne se vide pas correctement

- Si l'appareil est branché à un broyeur à déchets, assurez-vous que le broyeur est vide.
- Assurez-vous que le bouchon défonçable a été enlevé de l'intérieur de l'entrée du broyeur à déchets.
- Assurez-vous que le boyau de drainage n'est pas coudé.
- Assurez-vous que le cycle est complété, et non en pause.
- Assurez-vous que le filtre à débris est entretenu et installé correctement pour éviter les blocages (voir Entretien et nettoyage).

Le lave-vaisselle dégage une odeur

- La vaisselle sale laissée dans le lave-vaisselle trop longtemps peut créer une odeur. Utilisez le cycle de rinçage seulement.
- Il peut y avoir une odeur de « neuf » au moment de l'installation. Ceci est normal.
- Assurez-vous que l'appareil se vide correctement. (Voir Le lave-vaisselle ne se vide pas correctement.)

Taches à l'intérieur de la cuve

- Le fait de laver une grande quantité de vaisselle salie avec de la tomate peut donner à la cuve une apparence rose/orange. Cela n'a aucune incidence sur le rendement. La teinte s'estompe progressivement au fil du temps. Le prérinçage ou l'utilisation du cycle Rinse Only réduit les risques de taches tenaces. L'utilisation du séchage sans chaleur permet de réduire les taches.

Ouverture de la porte durant un cycle

- Si vous ouvrez la porte du lave-vaisselle pendant que l'appareil est en marche, pour retourner au cycle et à l'option sélectionnés, vous devez appuyer de nouveau sur la touche START/Cancel et vous devez refermer immédiatement la porte. Cela doit se faire en 10 minutes maximum pour que l'appareil puisse poursuivre le cycle.

Élimination des taches et pellicules

L'eau dure peut causer une accumulation de dépôts calcaires à l'intérieur du lave-vaisselle. La vaisselle et les verres peuvent aussi avoir des taches et un film pour un certain nombre de raisons. (Voir la section Verrerie / coutellerie tachetée ou trouble). Pour éliminer les dépôts calcaires et le film, faites un cycle de lavage comme suit :

1. Mettez de la vaisselle et des verres propres de façon normale dans le lave-vaisselle. Ne chargez aucun couvert ni ustensile en métal.
2. N'ajoutez pas de détergent.
3. Sélectionnez le cycle Normal Wash. Appuyez sur la touche START/Cancel. Fermez la porte.
4. Laissez le lave-vaisselle fonctionner jusqu'à ce qu'il débute le deuxième remplissage d'eau (environ 8 minutes).
5. Ouvrez la porte et versez 2 tasses de vinaigre blanc dans le fond du lave-vaisselle.
6. Appuyez sur la touche START/Cancel. Fermez la porte et laissez le cycle se terminer.

Combien de temps la garantie IKEA est-elle valable ?

La présente garantie est valable pendant une période de cinq (5) ans à compter de la date d'achat de votre appareil chez IKEA, sauf pour les appareils de marque LAGAN ou TILLREDA dont la période de garantie est de deux (2) ans. Le reçu de vente d'origine est requis comme preuve d'achat. Si des réparations sont effectuées en vertu de la garantie, ceci n'a pas pour effet de prolonger la période de garantie de l'appareil.

Qui effectuera les réparations ?

Un fournisseur de services IKEA fera effectuer les réparations par sa propre entreprise ou par le réseau de partenaires de service autorisés.

Qu'est-ce qui est couvert par la présente garantie ?

La garantie couvre, à compter de la date d'achat d'IKEA, les défaillances de l'appareil causées par un défaut de construction ou de matériaux. La présente garantie ne s'applique qu'à un usage domestique. Certaines exceptions à la garantie sont spécifiées sous la rubrique « Qu'est-ce qui n'est pas couvert en vertu de la présente garantie ? ». Durant la période de garantie, les coûts pour corriger le défaut (p. ex. réparations, pièces, main-d'œuvre et déplacement) seront couverts, à condition qu'il soit possible d'accéder à l'appareil sans dépenses spéciales. En pareilles circonstances les règlements locaux s'appliquent. Toute pièce remplacée devient la propriété d'IKEA.

Que fera IKEA pour résoudre le problème ?

Le fournisseur de service après-vente désigné par IKEA examinera le produit et décidera, à sa seule discrétion, si le problème est couvert par la présente garantie. Si le problème est couvert, le fournisseur de service après-vente IKEA ou son partenaire de service autorisé agissant dans le cadre de ses opérations procédera, à son entière discrétion, soit à la réparation du produit défectueux ou à son remplacement par un produit identique ou comparable.

Qu'est-ce qui n'est pas couvert en vertu de la présente garantie ?

- L'usure normale.
- Les dommages délibérés ou causés par la négligence, par le non-respect des instructions d'utilisation, par une installation incorrecte ou le raccordement à la mauvaise tension, par une réaction chimique ou électrochimique, par la rouille, la corrosion ou des dégâts d'eau, y compris, sans s'y limiter, les dommages causés par une eau excessivement calcaire et les dommages attribuables à des conditions environnementales anormales.
- Les pièces consommables, notamment les batteries et les ampoules.
- Les pièces décoratives et non fonctionnelles qui n'ont pas d'incidence sur l'utilisation normale de l'appareil, notamment les égratignures et différences de couleurs possibles.
- Les dommages accidentels causés par des substances ou des corps étrangers, par le nettoyage ou le déblocage des filtres, du système de drainage ou des tiroirs à savon.
- Les dommages aux pièces suivantes : vitrocéramique, accessoires, paniers à ustensiles et vaisselle, tuyaux d'alimentation et de drainage, joints d'étanchéité, ampoules et couvre-ampoules, grillages, boutons, boîtiers et pièces de boîtier, à moins qu'il ne soit démontré que ces dommages ont été causés par des défauts de production.
- Les cas où aucune défaillance n'est trouvée lors de la visite d'un technicien.
- Les réparations n'ayant pas été effectuées par nos fournisseurs de services désignés et/ou un partenaire de service autorisé ou pour lesquelles des pièces non d'origine ont été utilisées.
- Les réparations requises à cause d'une installation déficiente ou non conforme aux spécifications.
- L'utilisation non domestique de l'appareil, c.-à-d. son utilisation en contexte professionnel.
- Les dommages durant le transport. Si un client transporte le produit à son domicile ou à une autre adresse, IKEA n'est pas responsable des dommages pouvant survenir durant le transport. Toutefois, si IKEA livre le produit à l'adresse de livraison du client, tout dommage au produit survenant en cours de livraison est couvert par IKEA.
- Le coût de l'installation initiale de l'appareil IKEA. Toutefois, si un fournisseur de service après-vente désigné par IKEA ou son partenaire de service autorisé répare ou remplace l'appareil en vertu de la présente garantie, le fournisseur de service après-vente désigné ou son partenaire de service autorisé réinstallera l'appareil réparé ou installera son remplacement si nécessaire.

Application des lois en vigueur

La garantie IKEA vous confère des droits spécifiques reconnus par la loi. Vous pourriez également avoir d'autres droits, lesquels varient d'une province à l'autre ou d'une juridiction à l'autre. Toutefois, ces conditions ne limitent d'aucune façon les droits des consommateurs décrits dans les lois locales.

Zone de validité

Pour les appareils électroménagers achetés au Canada ou aux États-Unis ou déménagés dans l'un de ces pays, les services seront fournis dans le cadre des conditions de garantie normales dans le pays en question.

Il n'y a obligation de fournir des services dans le cadre de la garantie que si l'appareil est conforme et est installé selon :

- les spécifications techniques du pays où la demande en vertu de la garantie est faite ;
- Les instructions de montage et l'information concernant la sécurité fournie dans le guide d'utilisation.

Le service après-vente destiné aux électroménagers d'IKEA

N'hésitez pas à communiquer avec un fournisseur de service après-vente désigné par IKEA pour :

- faire une demande de service en vertu de la présente garantie ;
- demander des précisions sur l'installation de l'appareil électroménager IKEA dans les meubles de cuisine dédiés IKEA ;
- poser des questions sur les fonctions des appareils électroménagers IKEA.

Afin que nous puissions vous fournir la meilleure assistance possible, veuillez lire attentivement les instructions de montage et/ou le guide d'utilisation avant de communiquer avec nous.

Comment nous joindre si vous avez besoin de nos services

Afin que nous puissions vous offrir un service plus rapide, nous vous recommandons d'utiliser les numéros de téléphone indiqués dans ce manuel. Référez-vous toujours aux numéros que vous trouverez dans le livret de l'appareil spécifique pour lequel vous avez besoin d'assistance.



Numéro de téléphone :
1 833 337-4006

Heures d'ouverture :
Du lundi au vendredi,
de 8 h 30 à 20 h 00, HNE

Référez-vous aussi au numéro d'article IKEA (un code de 8 chiffres) figurant sur la plaque de classification de votre appareil.

CONSERVEZ LE REÇU DE VENTE !

C'est votre preuve d'achat et elle est requise pour vous prévaloir de la garantie. Le reçu de vente comporte aussi le nom et le numéro d'article IKEA (un code de 8 chiffres) pour chaque électroménager acheté.

Avez-vous besoin d'aide supplémentaire ?

Pour toute question supplémentaire non liée au service après-vente d'appareils électroménagers, communiquez avec votre centre d'appel IKEA le plus proche. Nous vous recommandons de lire attentivement la documentation accompagnant votre appareil avant de communiquer avec nous.

A21501801 A